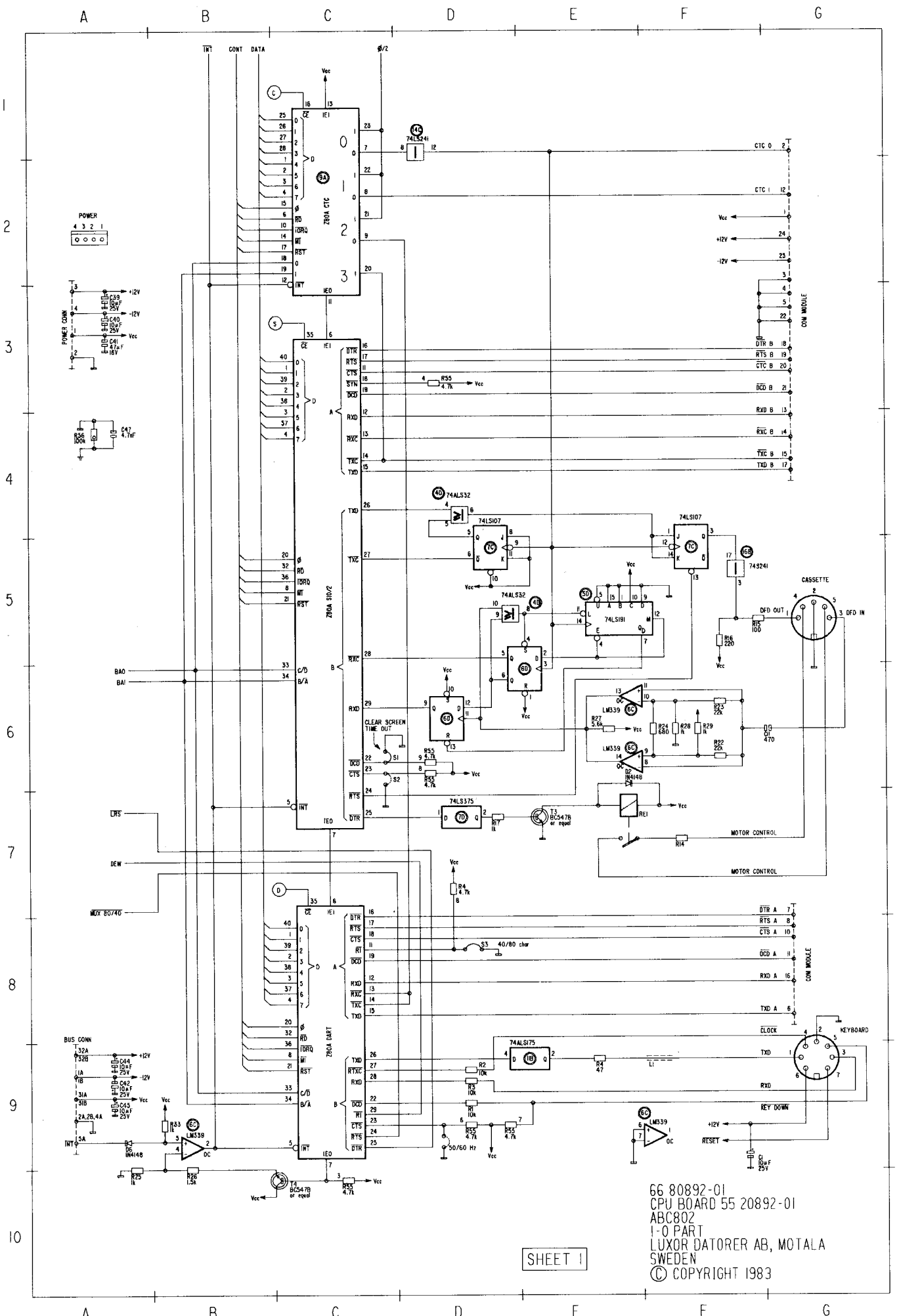
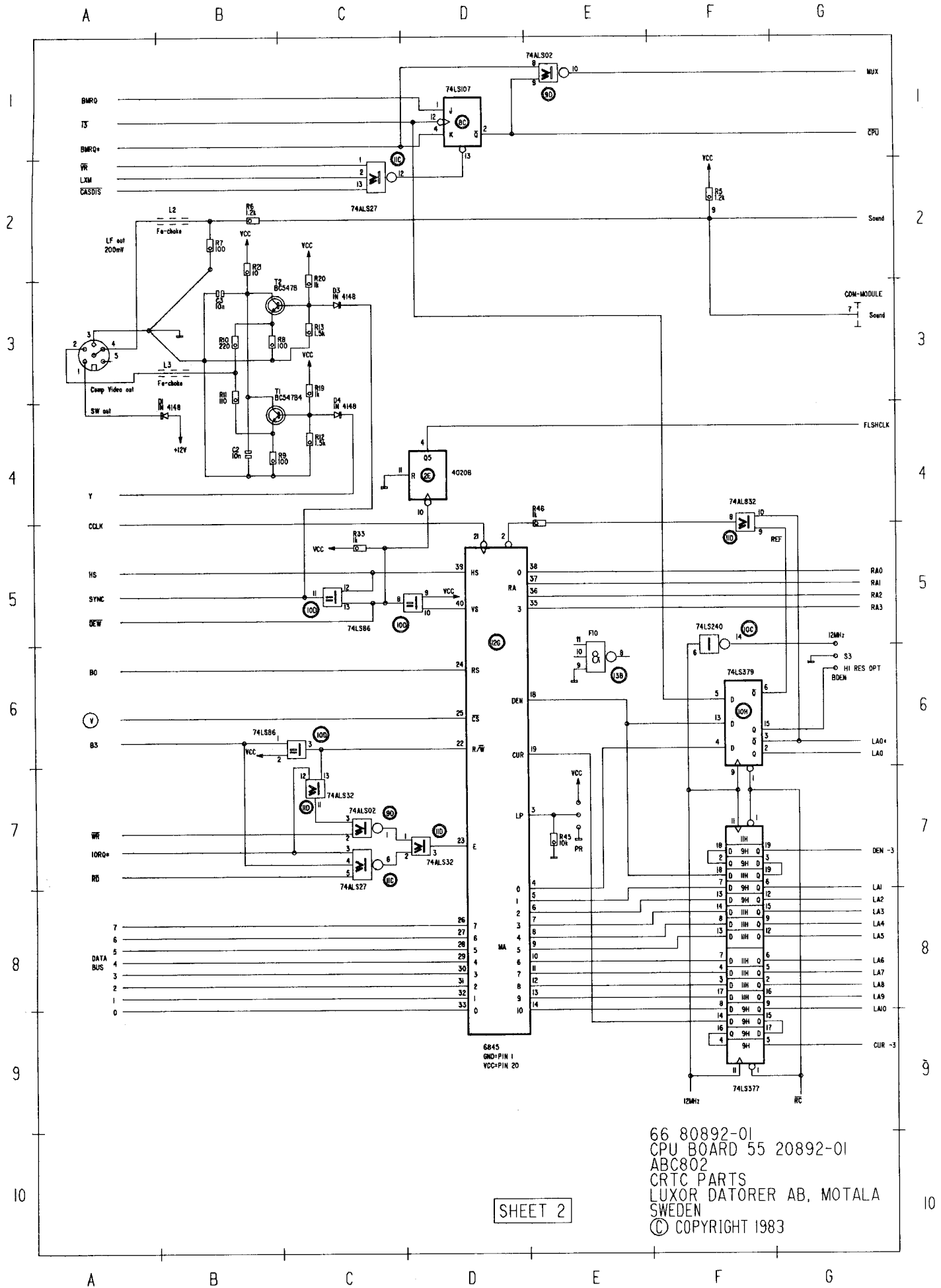


66 80893-01  
COM MODULE  
ABC802  
LUXOR DATORER AB, MOTALA  
SWEDEN  
© COPYRIGHT 1983



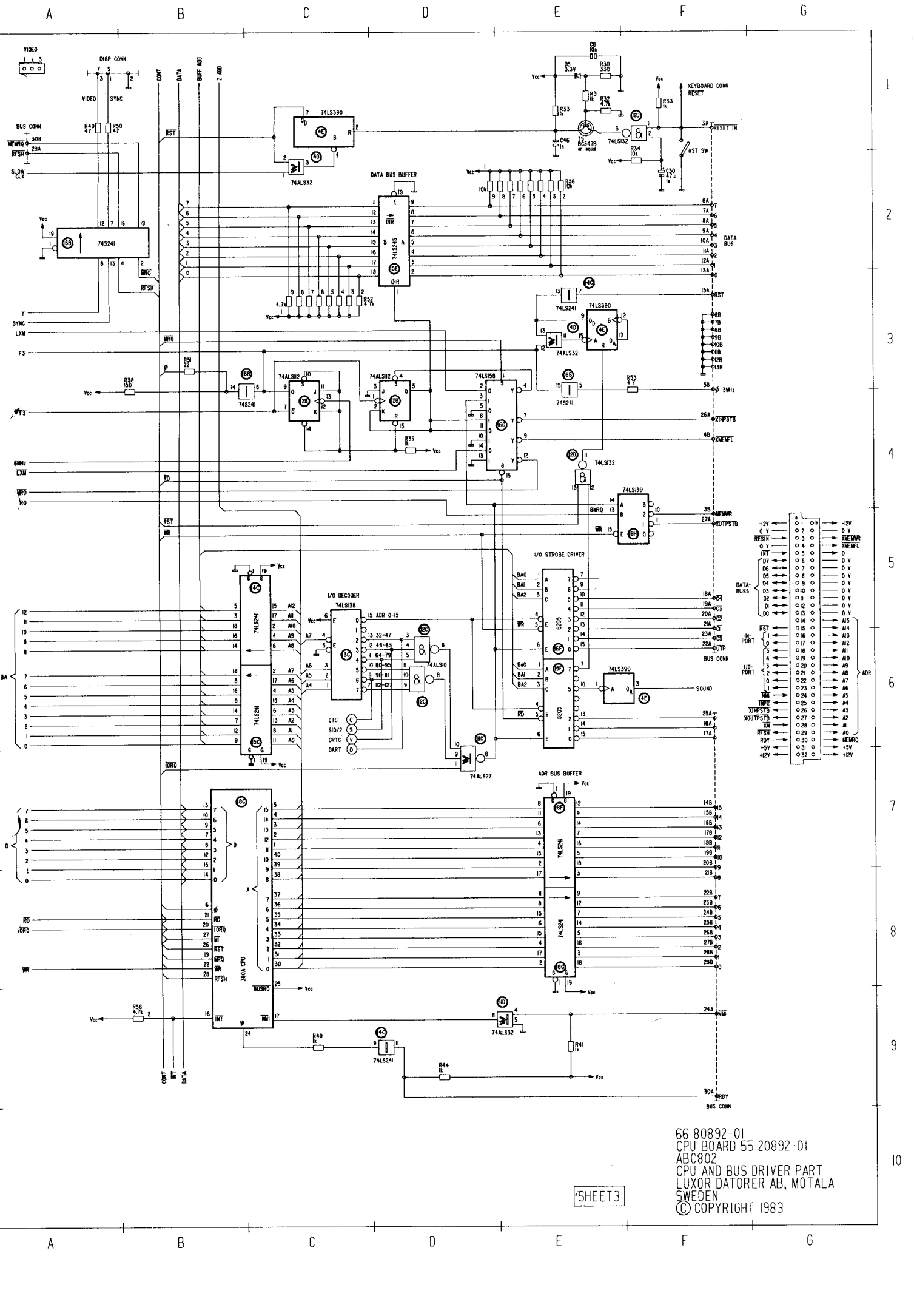
SHEET 1

66 80892-01  
 CPU BOARD 55 20892-01  
 ABC802  
 I-O PART  
 LUXOR DATORER AB, MOTALA  
 SWEDEN  
 © COPYRIGHT 1983



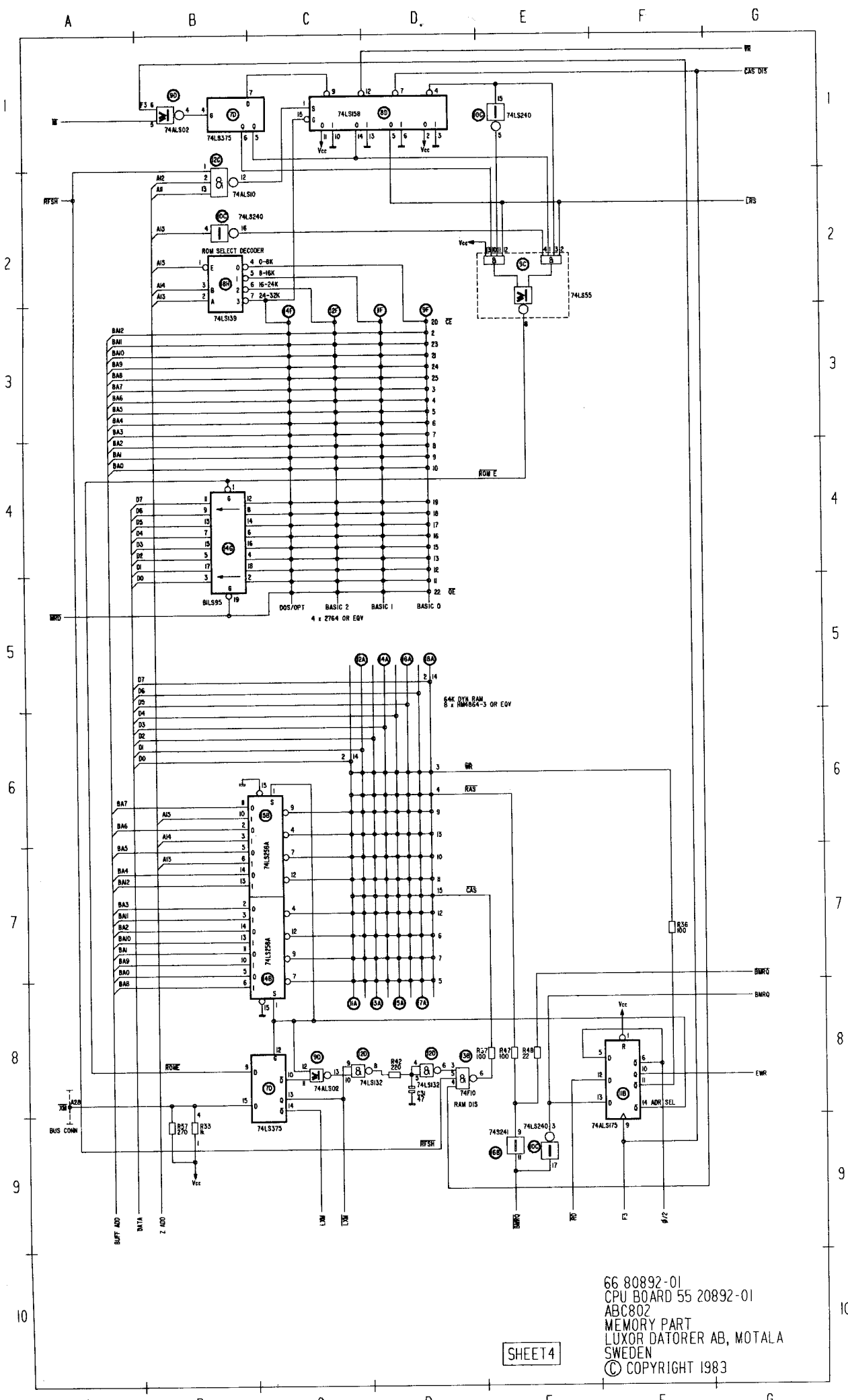
66 80892-01  
 CPU BOARD 55 20892-01  
 ABC802  
 CRIC PARTS  
 LUXOR DATORER AB, MOTALA  
 SWEDEN  
 © COPYRIGHT 1983

SHEET 2



66 80892-01  
 CPU BOARD 55 20892-01  
 ABC802  
 CPU AND BUS DRIVER PART  
 LUXOR DATORER AB, MOTALA  
 SWEDEN  
 © COPYRIGHT 1983

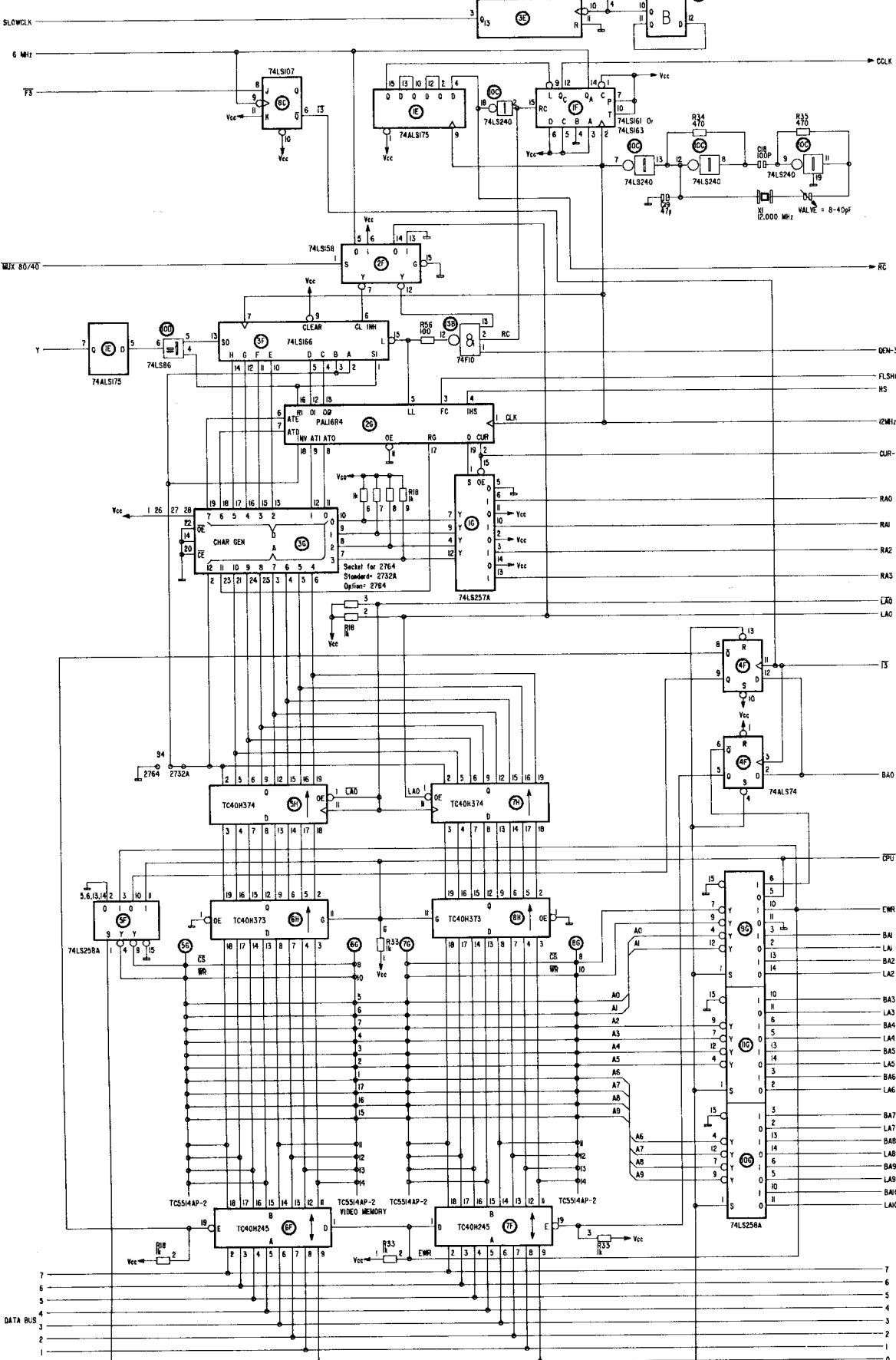
SHEET 3



66 80892-01  
 CPU BOARD 55 20892-01  
 ABC802  
 MEMORY PART  
 LUXOR DATÖRER AB, MOTALA  
 SWEDEN  
 © COPYRIGHT 1983

SHEET 4

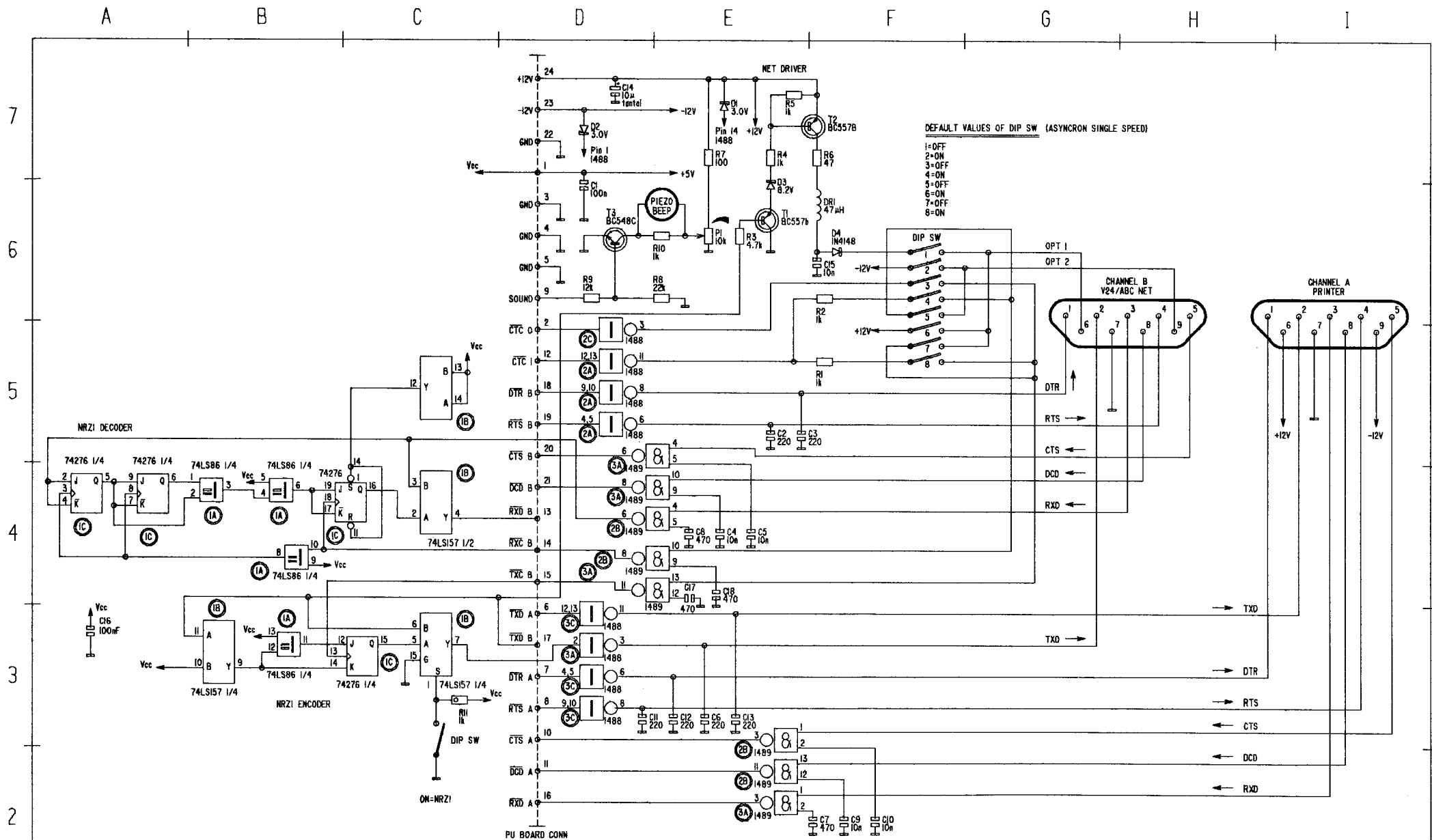
A B C D E F G



66 80892-01  
 CPU BOARD 55 20892-01  
 ABC802  
 VIDEO MEMORY PART  
 LUXOR DATORER AB, MOTALA  
 SWEDEN  
 © COPYRIGHT 1983

SHEET 5

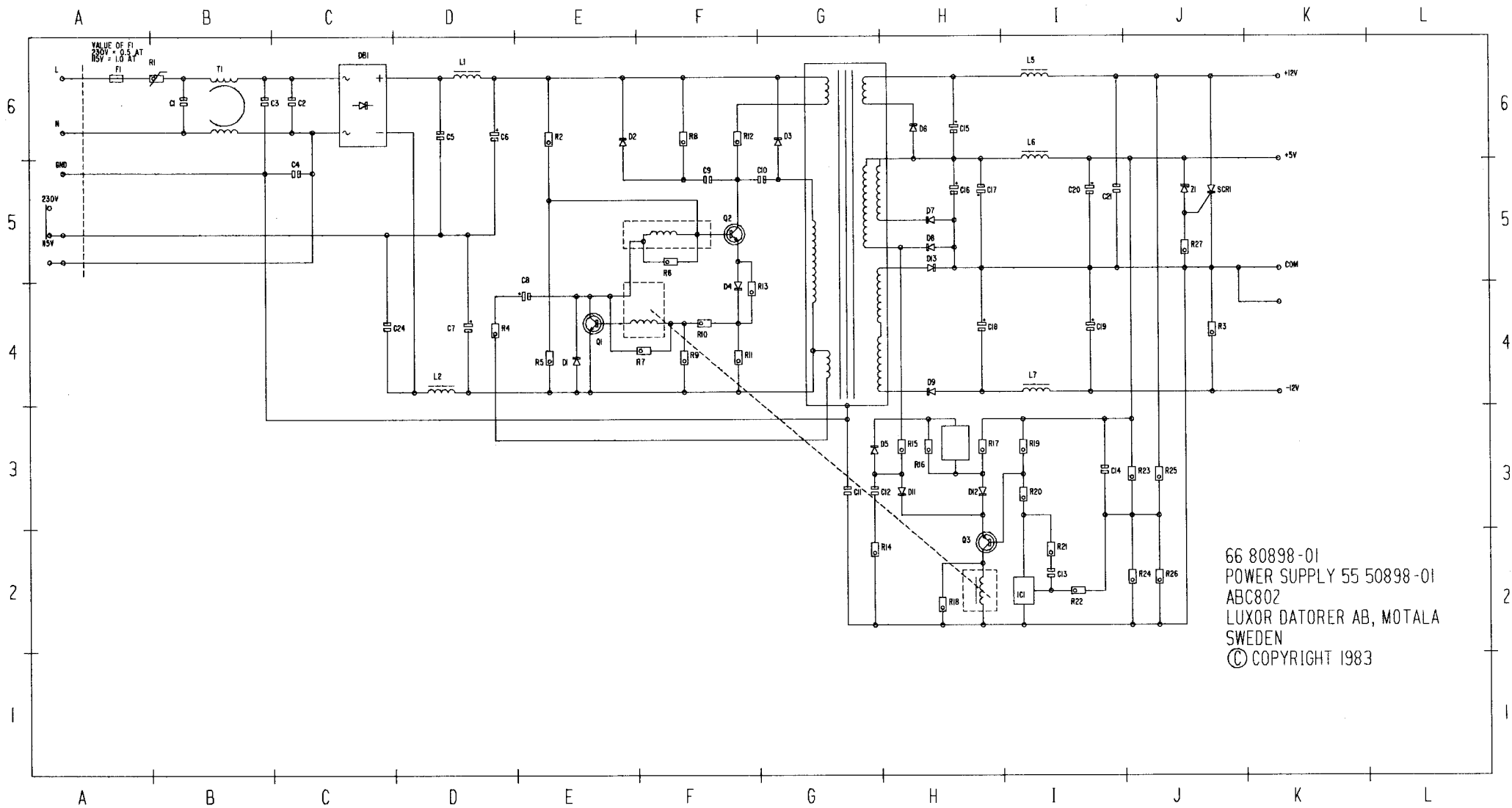
A B C D E F G



DEFAULT VALUES OF DIP SW (ASYNCRON SINGLE SPEED)

- 1=OFF
- 2=ON
- 3=OFF
- 4=ON
- 5=OFF
- 6=ON
- 7=OFF
- 8=ON

66 80892-01  
 NRZI COM MODULE  
 ABC802  
 LUXOR DATORER AB, MOTALA  
 SWEDEN  
 © COPYRIGHT 1983

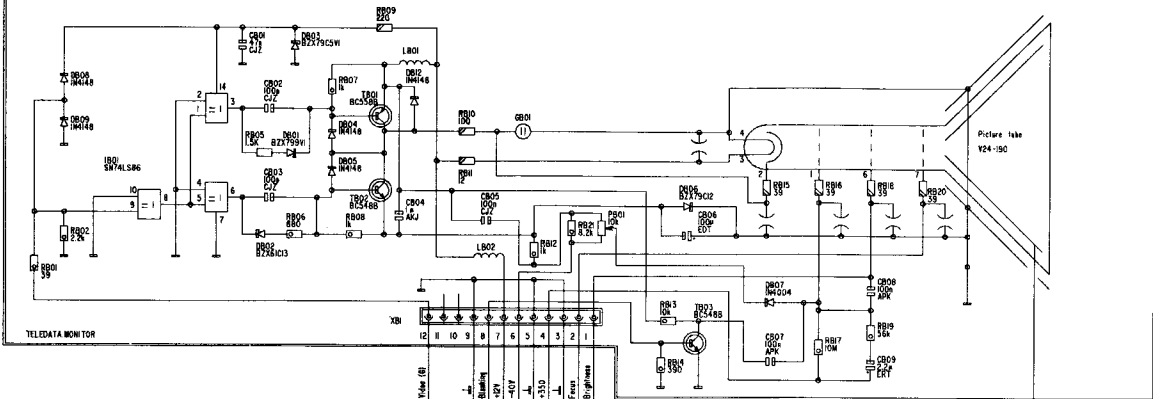


66 80898-01  
 POWER SUPPLY 55 50898-01  
 ABC802  
 LUXOR DATORER AB, MOTALA  
 SWEDEN  
 © COPYRIGHT 1983

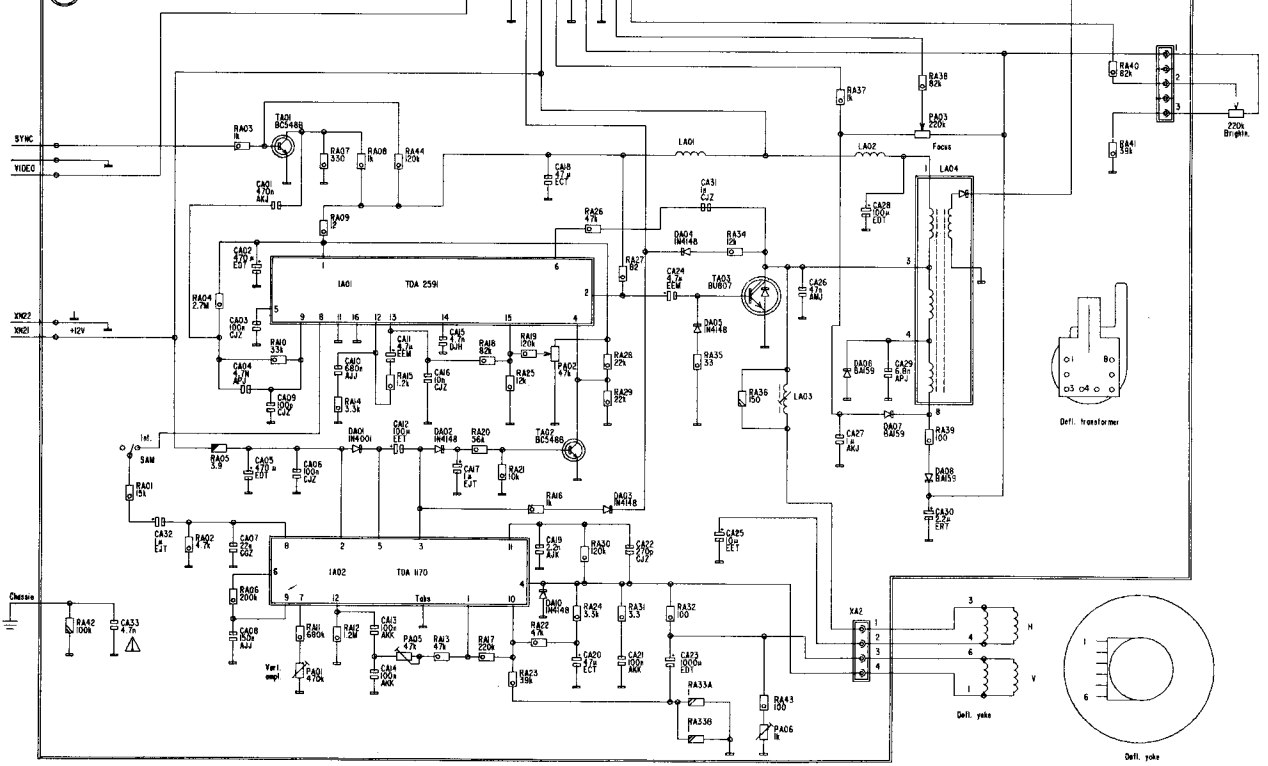


A B C D E F G H I

**(B) VIDEO MODULE**



**(A) DEFLECTION**



A B C D E F G H I