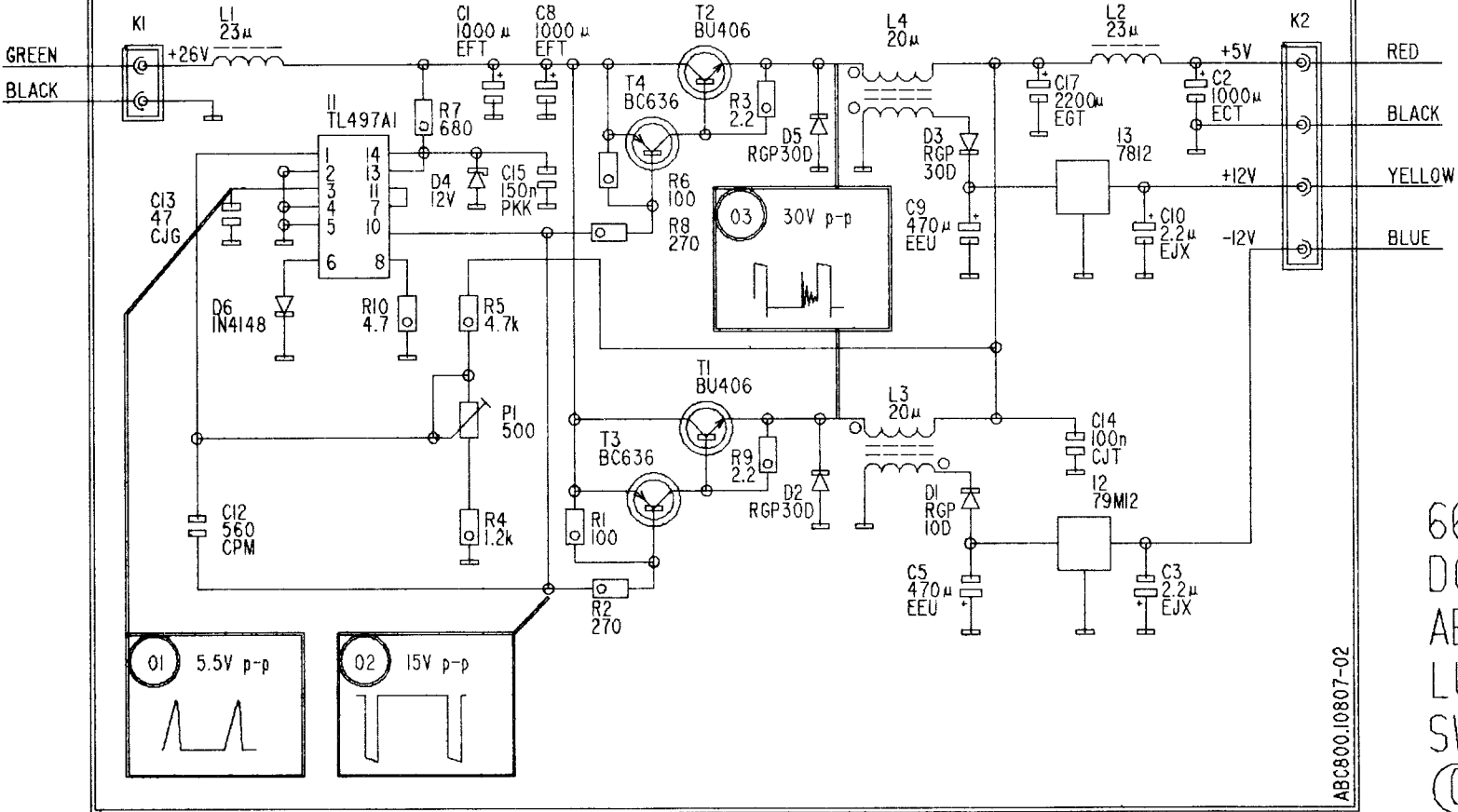


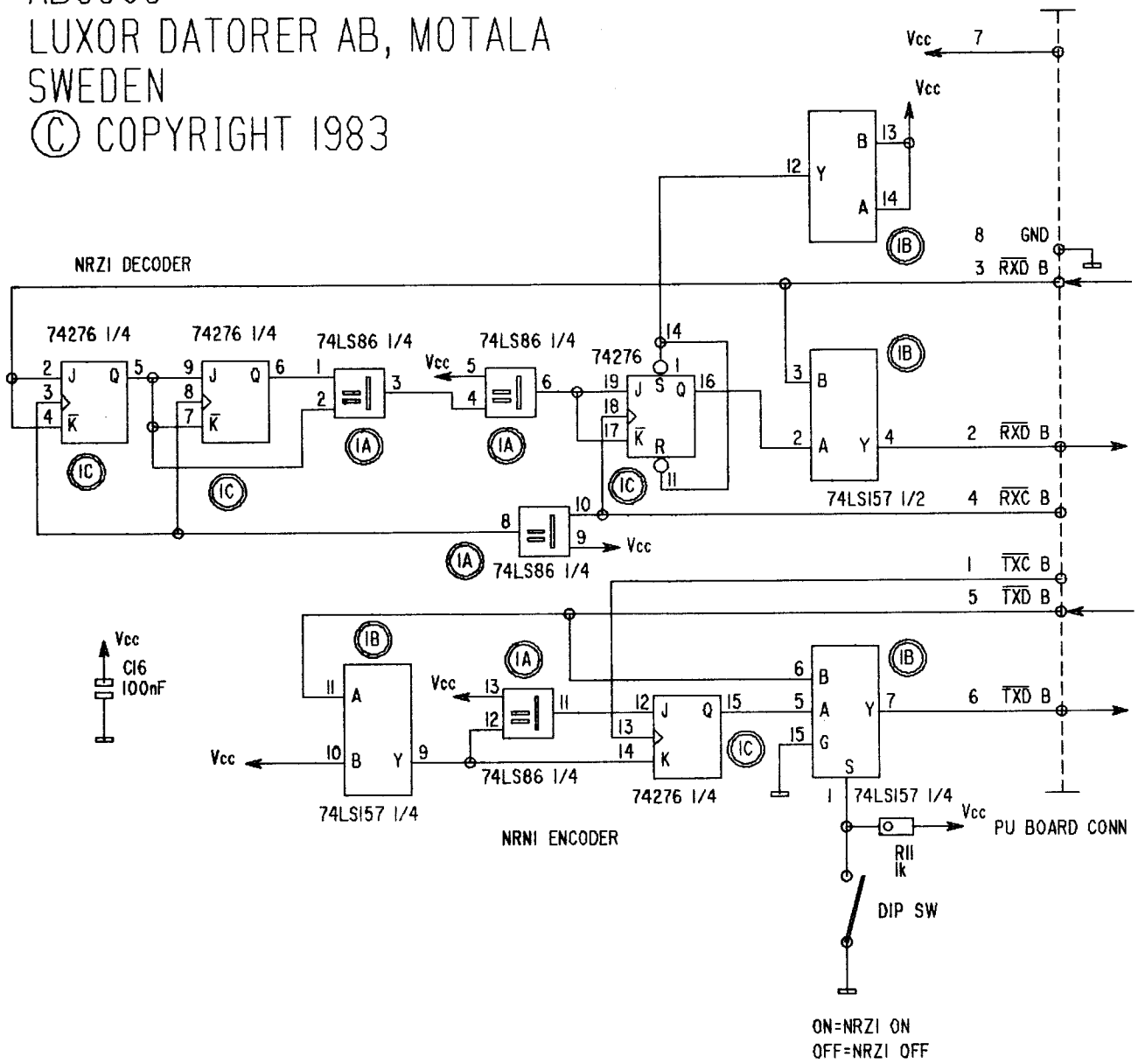
66 80942-01  
 PROCESSOR UNIT 5520942-01  
 ABC800/806  
 LUXOR DATORER AB, MOTALA  
 SWEDEN  
 © COPYRIGHT 1983

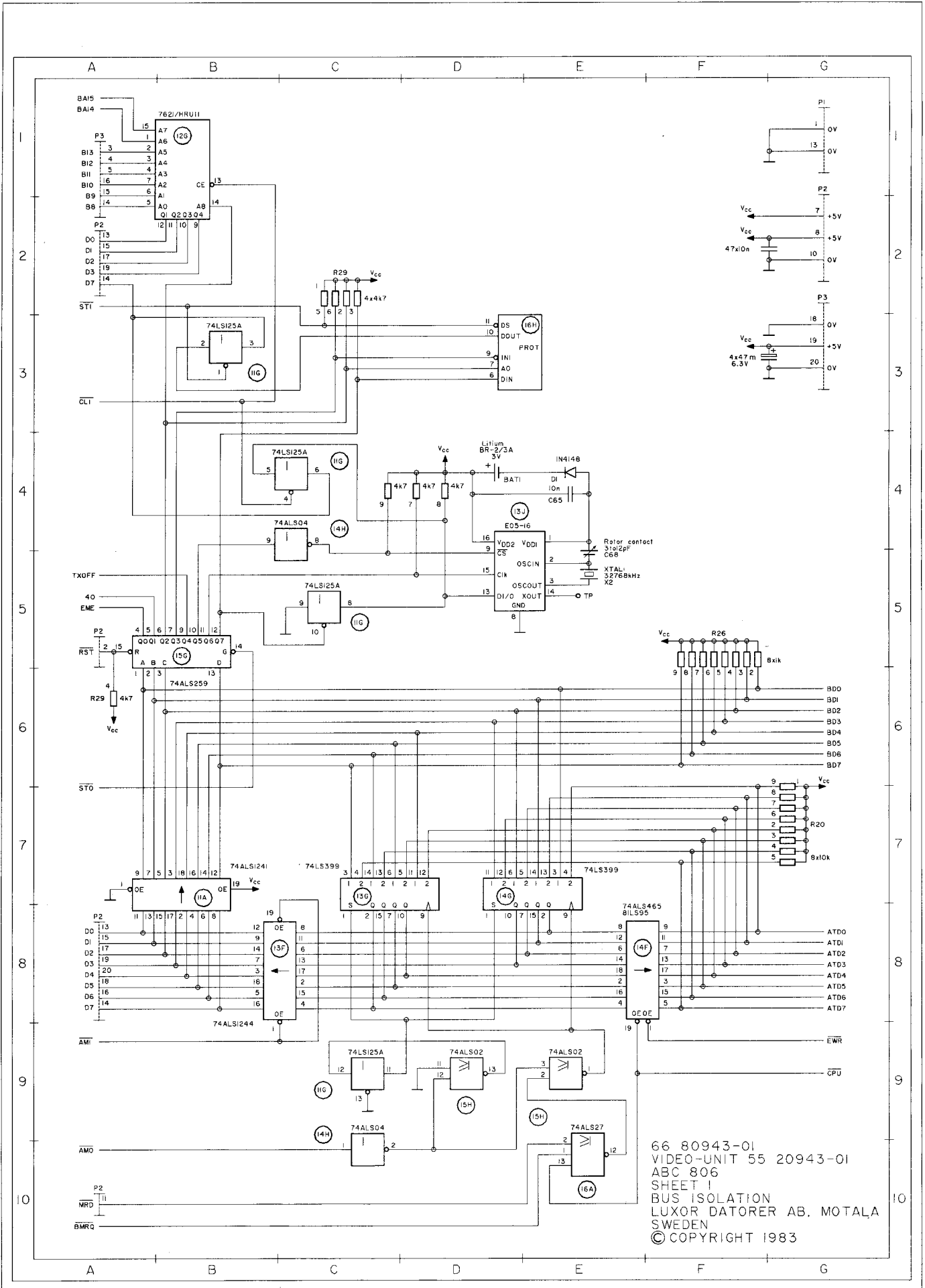
# DC-DC MODULE



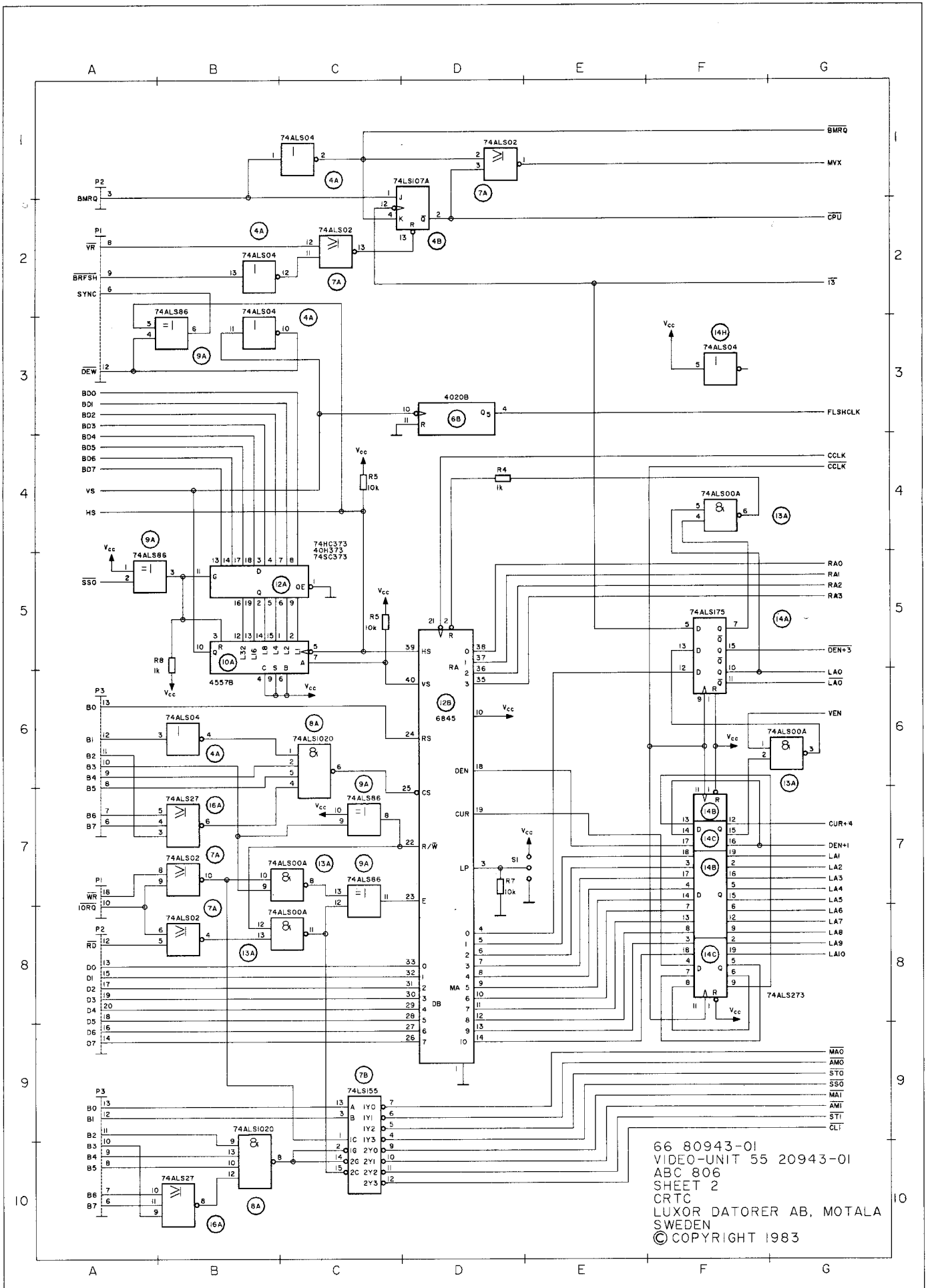
66 80807-02  
 DC/DC MODULE 55 20807-02  
 ABC806  
 LUXOR DATORER AB, MOTALA  
 SWEDEN  
 © COPYRIGHT 1983

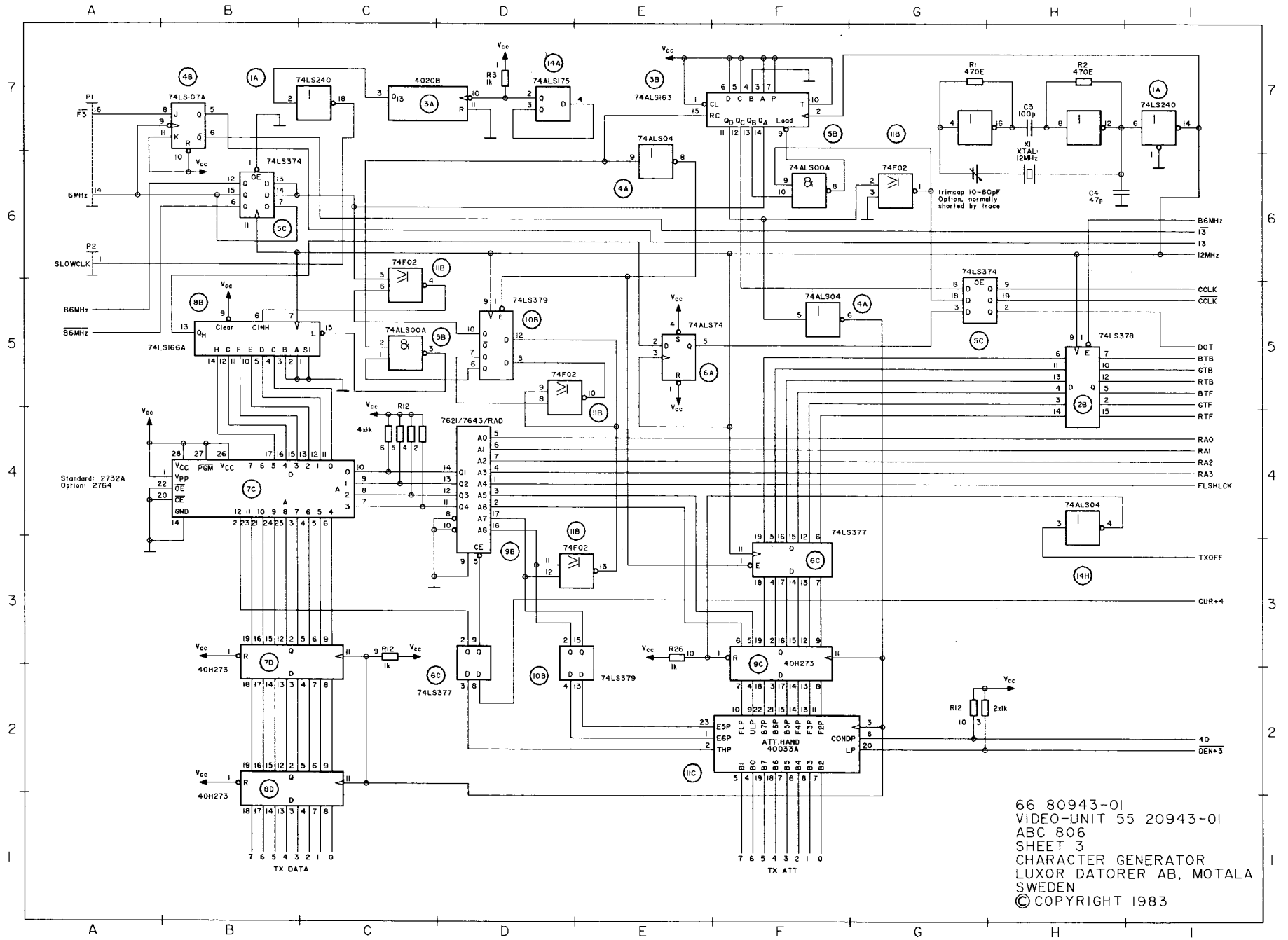
66 80941-01  
 NRZI COM MODULE 55 20941-01  
 ABC806  
 LUXOR DATORER AB, MOTALA  
 SWEDEN  
 © COPYRIGHT 1983

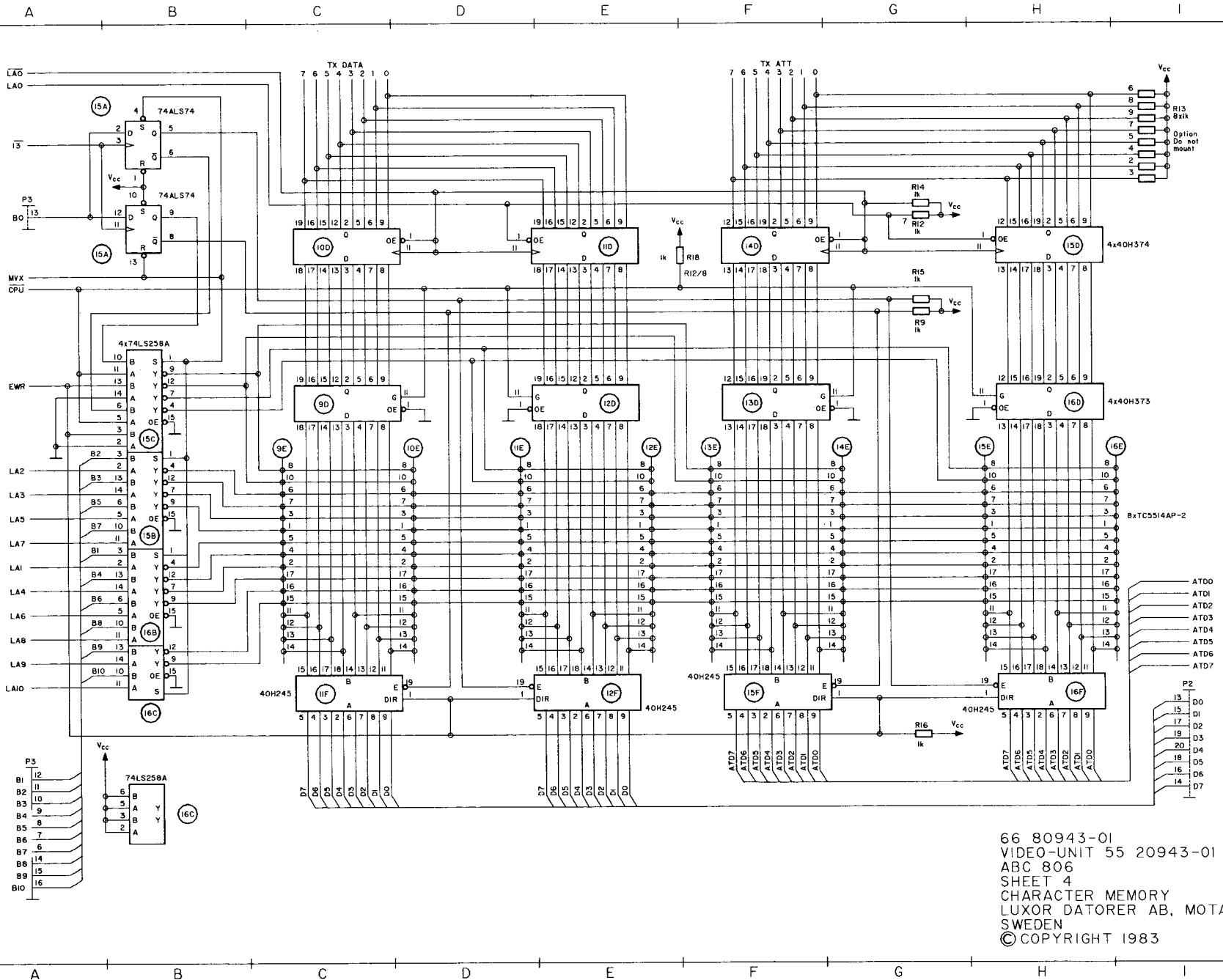




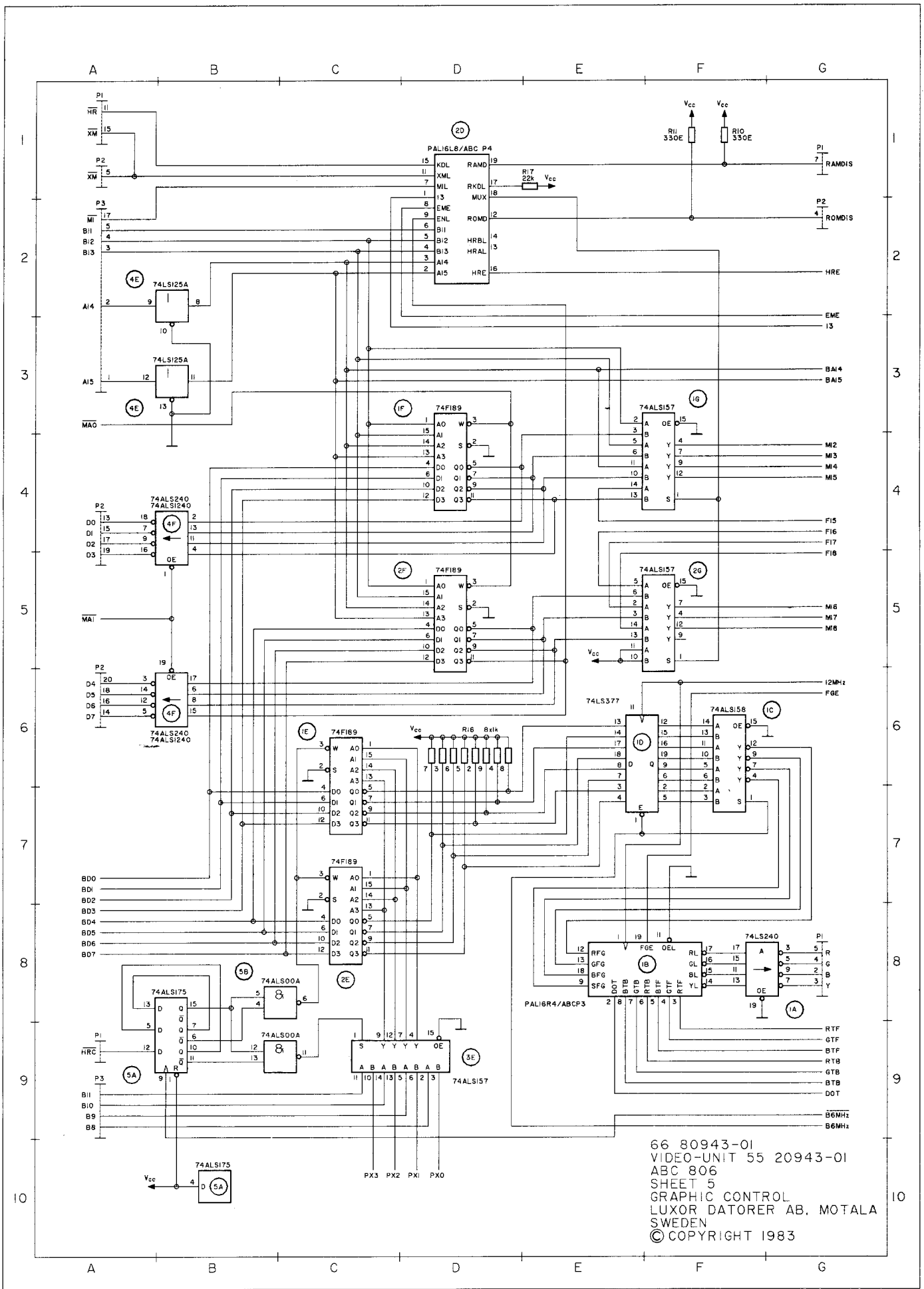
66 80943-01  
 VIDEO-UNIT 55 20943-01  
 SHEET 1  
 BUS ISOLATION  
 LUXOR DATORER AB. MOTALA  
 SWEDEN  
 © COPYRIGHT 1983





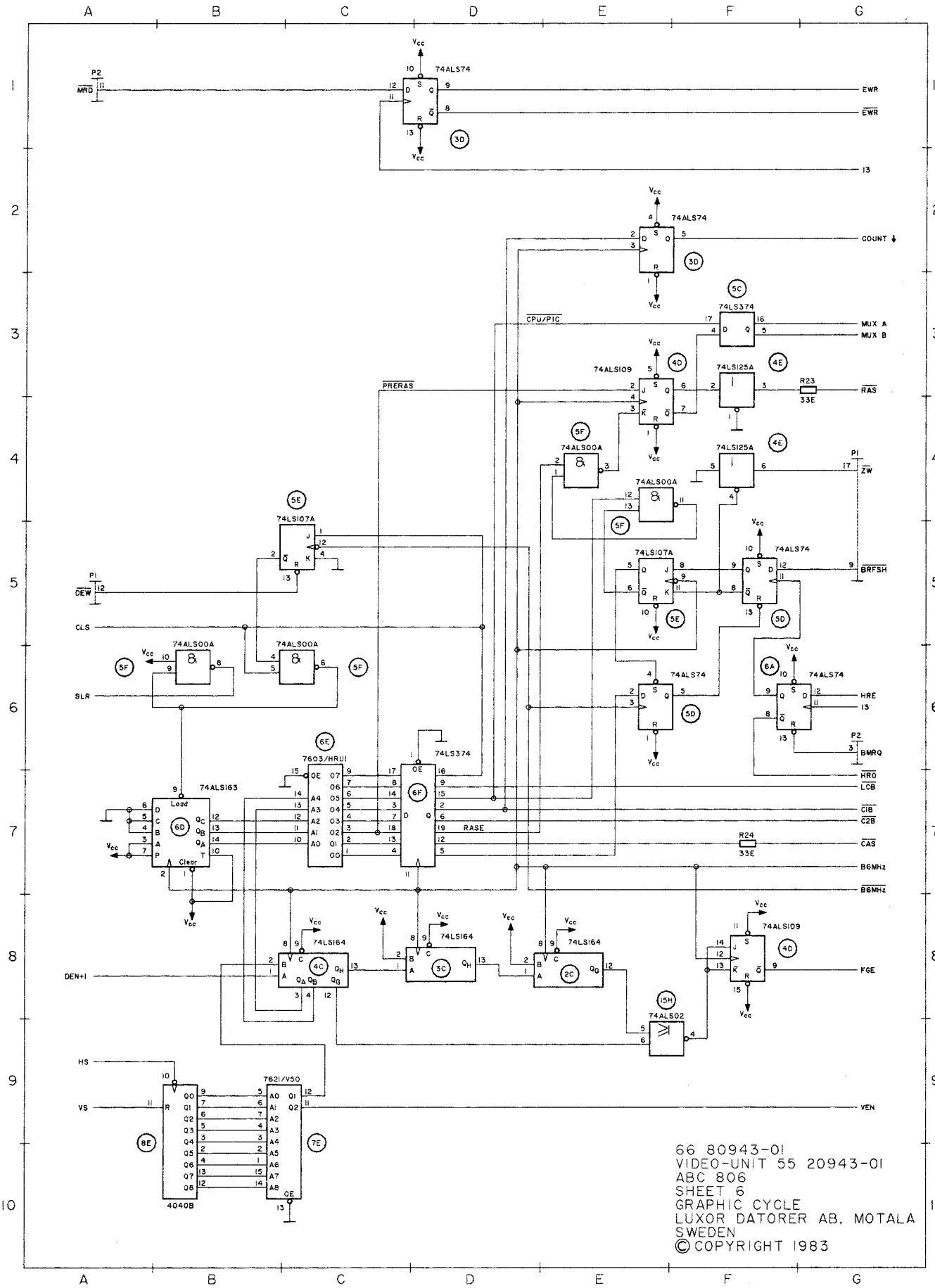


66 80943-01  
 VIDEO-UNIT 55 20943-01  
 ABC 806  
 SHEET 4  
 CHARACTER MEMORY  
 LUXOR DATORER AB, MOTALA  
 SWEDEN  
 © COPYRIGHT 1983

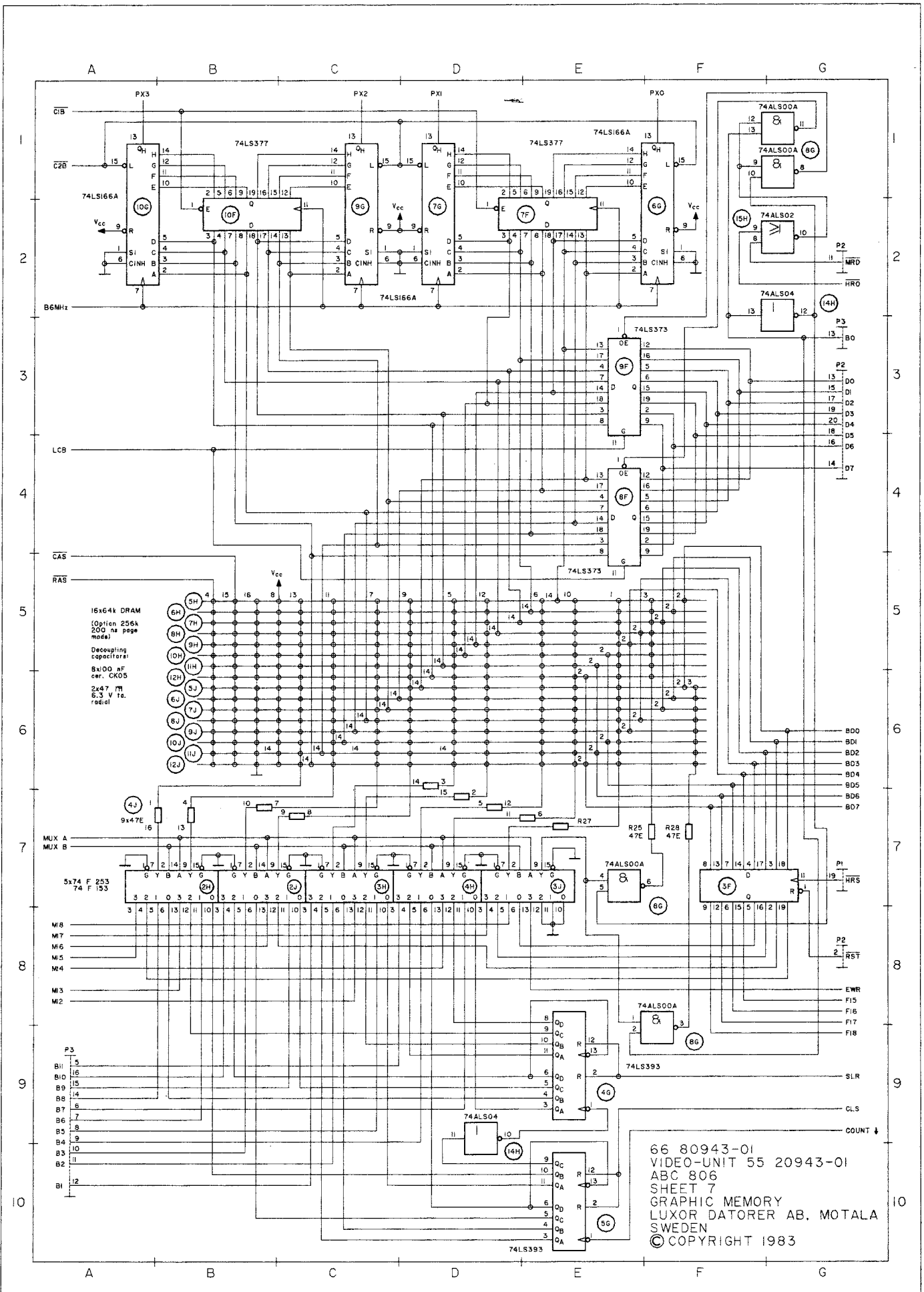


66 80943-01  
 VIDEO-UNIT 55 20943-01  
 ABC 806  
 SHEET 5  
 GRAPHIC CONTROL  
 LUXOR DATORER AB, MOTALA  
 SWEDEN  
 © COPYRIGHT 1983

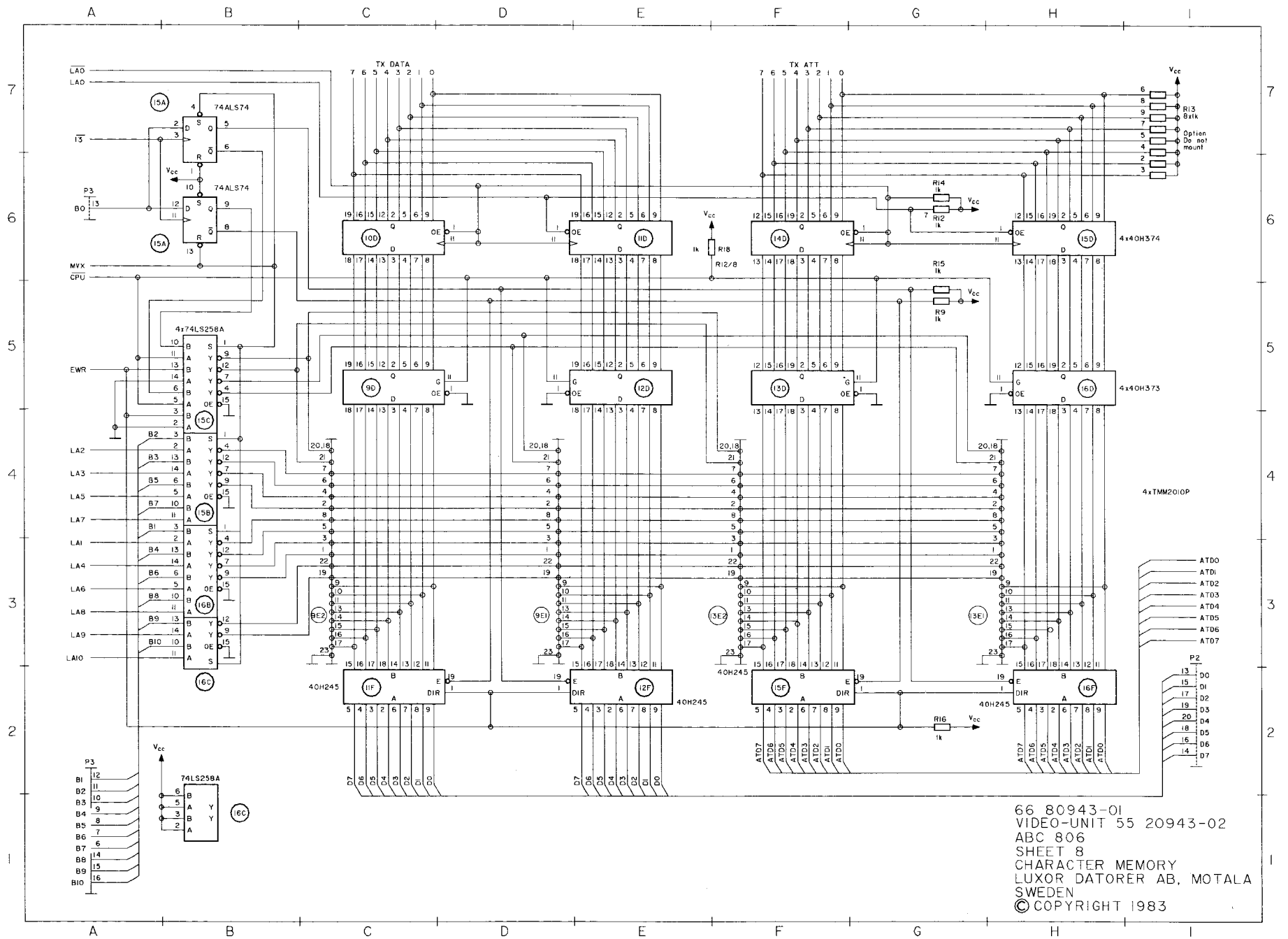




66 80943-01  
 VIDEO-UNIT 55 20943-01  
 ABC 806  
 SHEET 6  
 GRAPHIC CYCLE  
 LUXOR DATORER AB, MOTALA  
 SWEDEN  
 © COPYRIGHT 1983



66 80943-01  
 VIDEO-UNIT 55 20943-01  
 ABC 806  
 SHEET 7  
 GRAPHIC MEMORY  
 LUXOR DATORER AB, MOTALA  
 SWEDEN  
 © COPYRIGHT 1983



66 80943-01  
 VIDEO-UNIT 55 20943-02  
 ABC 806  
 SHEET 8  
 CHARACTER MEMORY  
 LUXOR DATORER AB, MOTALA  
 SWEDEN  
 © COPYRIGHT 1983