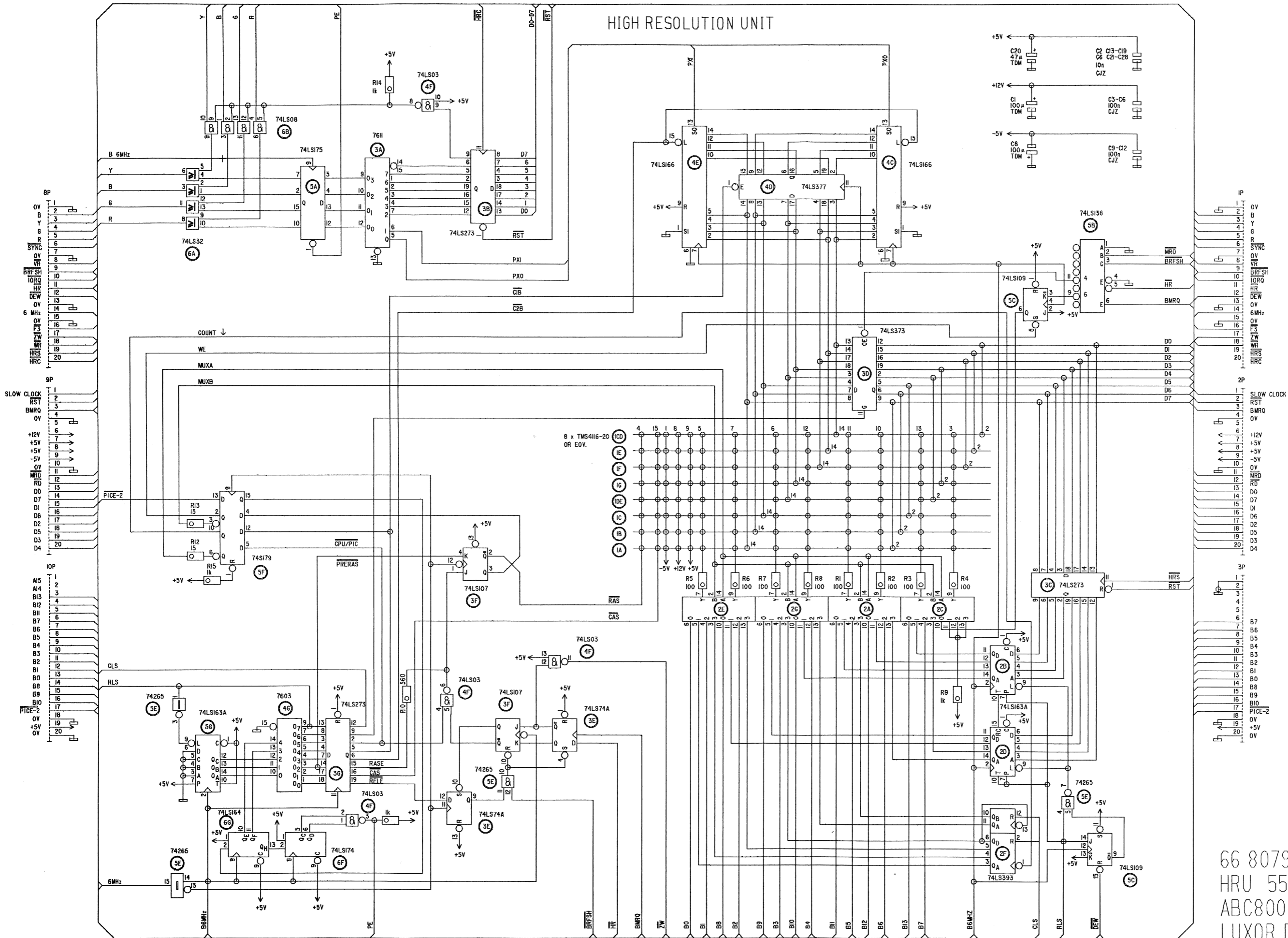
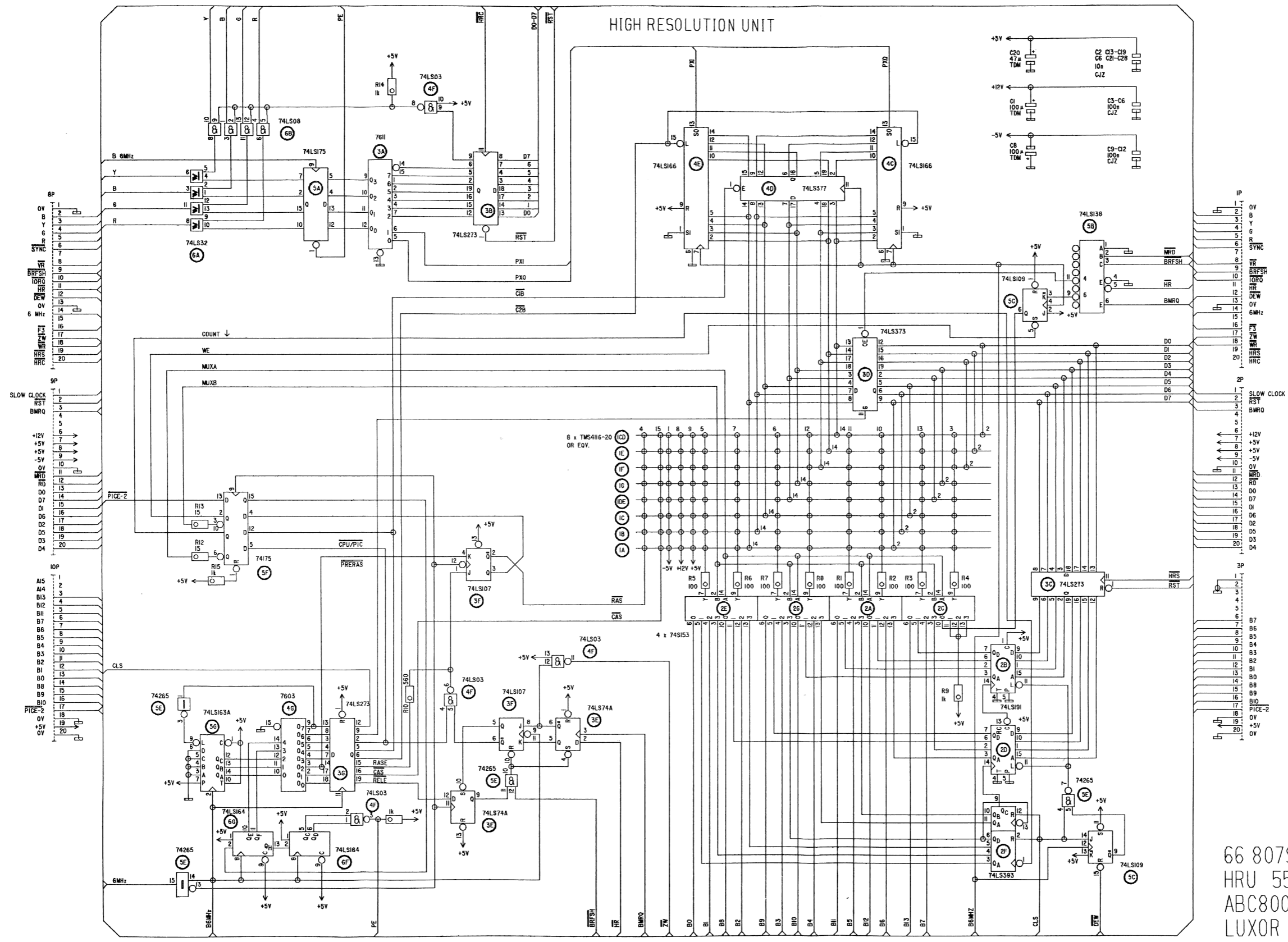


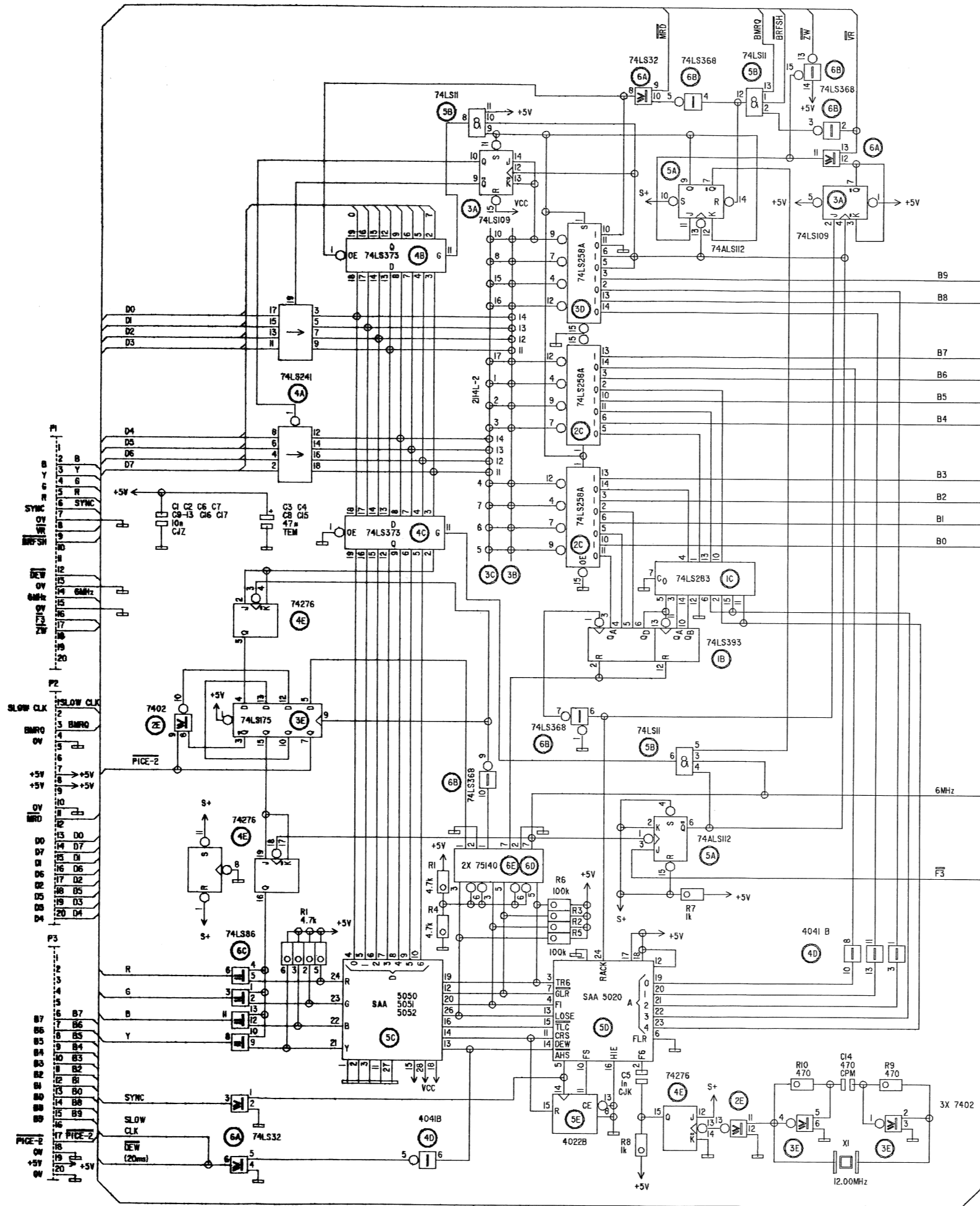
HIGH RESOLUTION UNIT



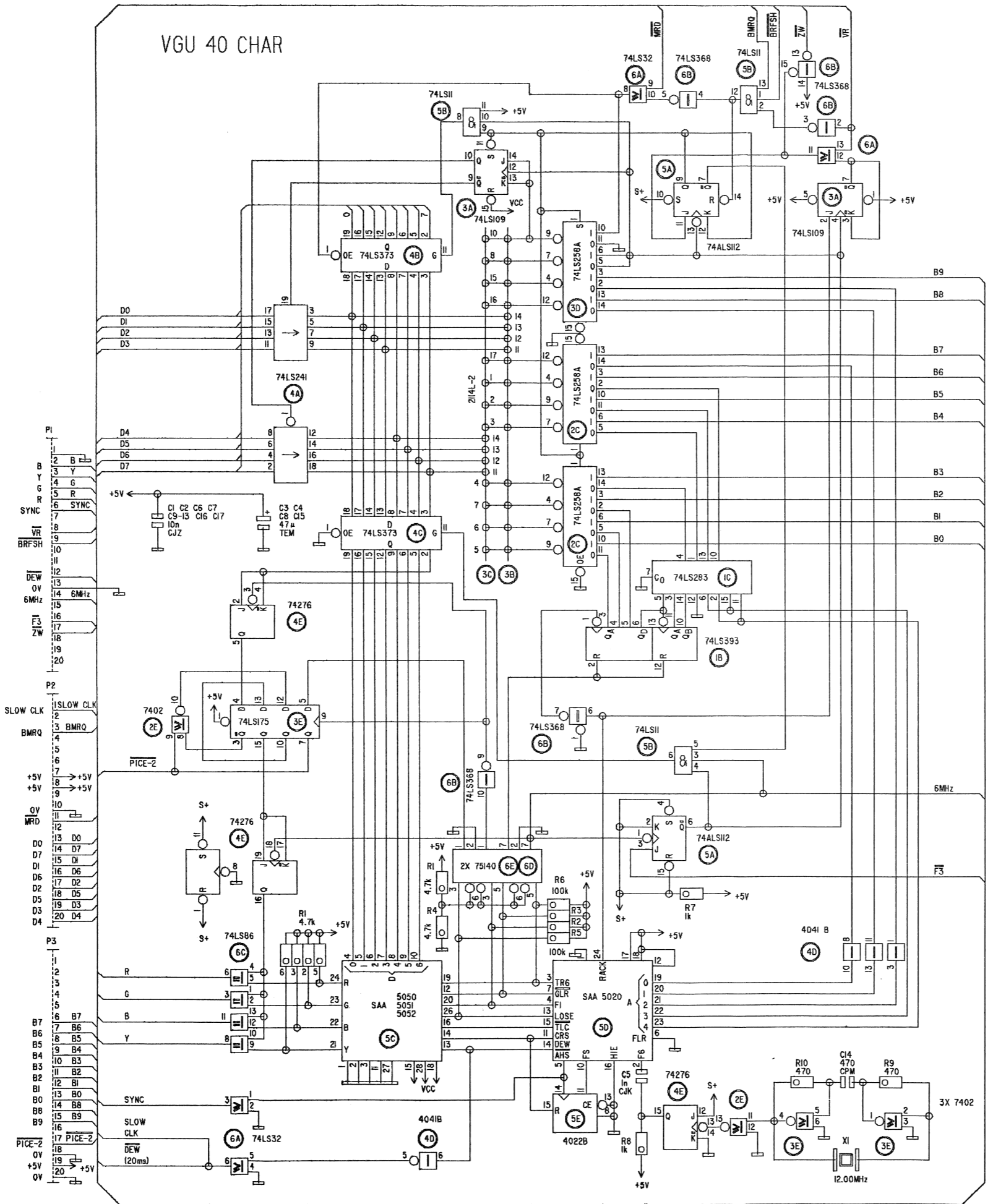
66 80791-01
 HRU 55 10791-01
 ABC800
 LUXOR DATORER AB, MOTALA



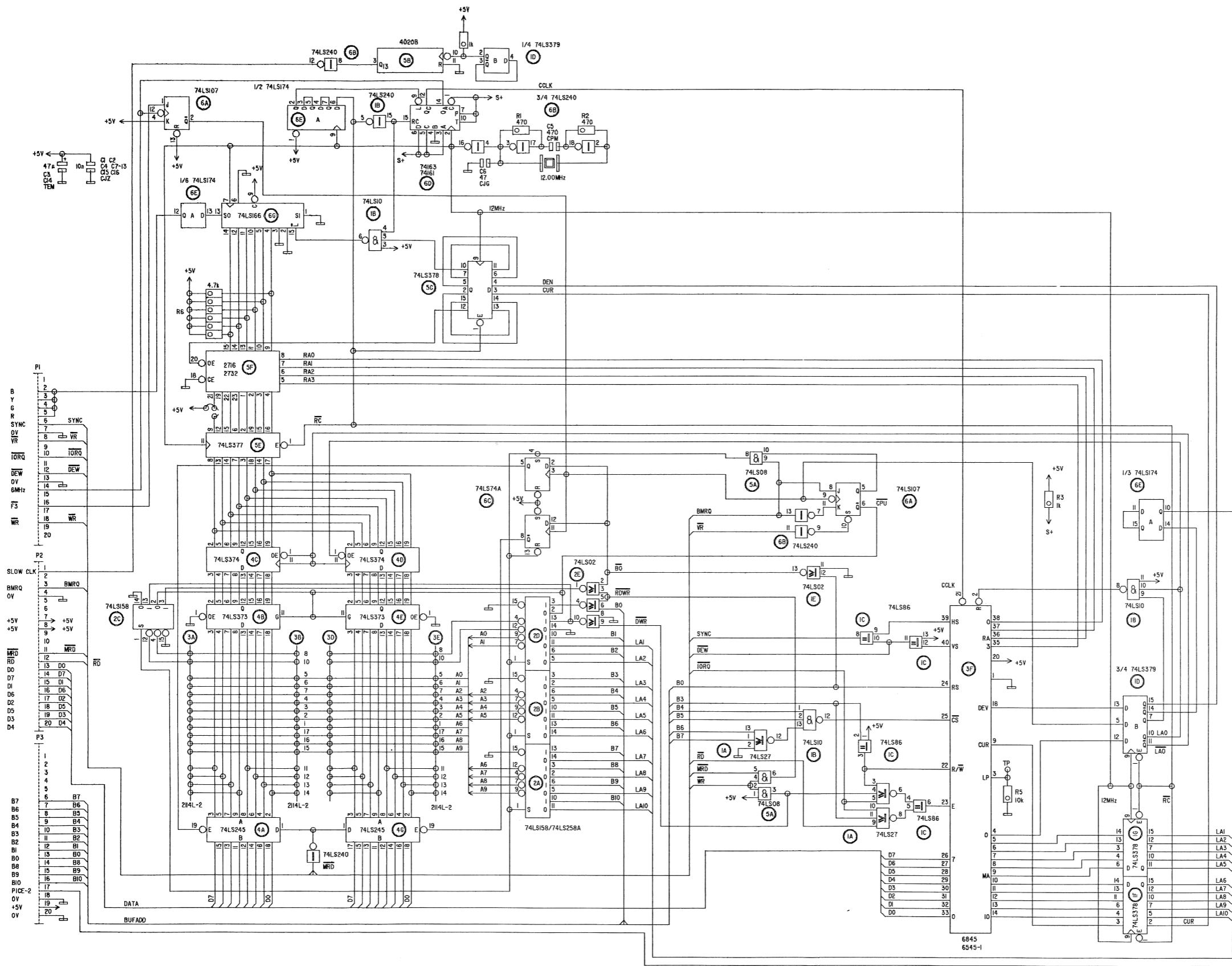
66 80791-02
 HRU 55 10791-02
 ABC800
 LUXOR DATORER AB, MOTALA



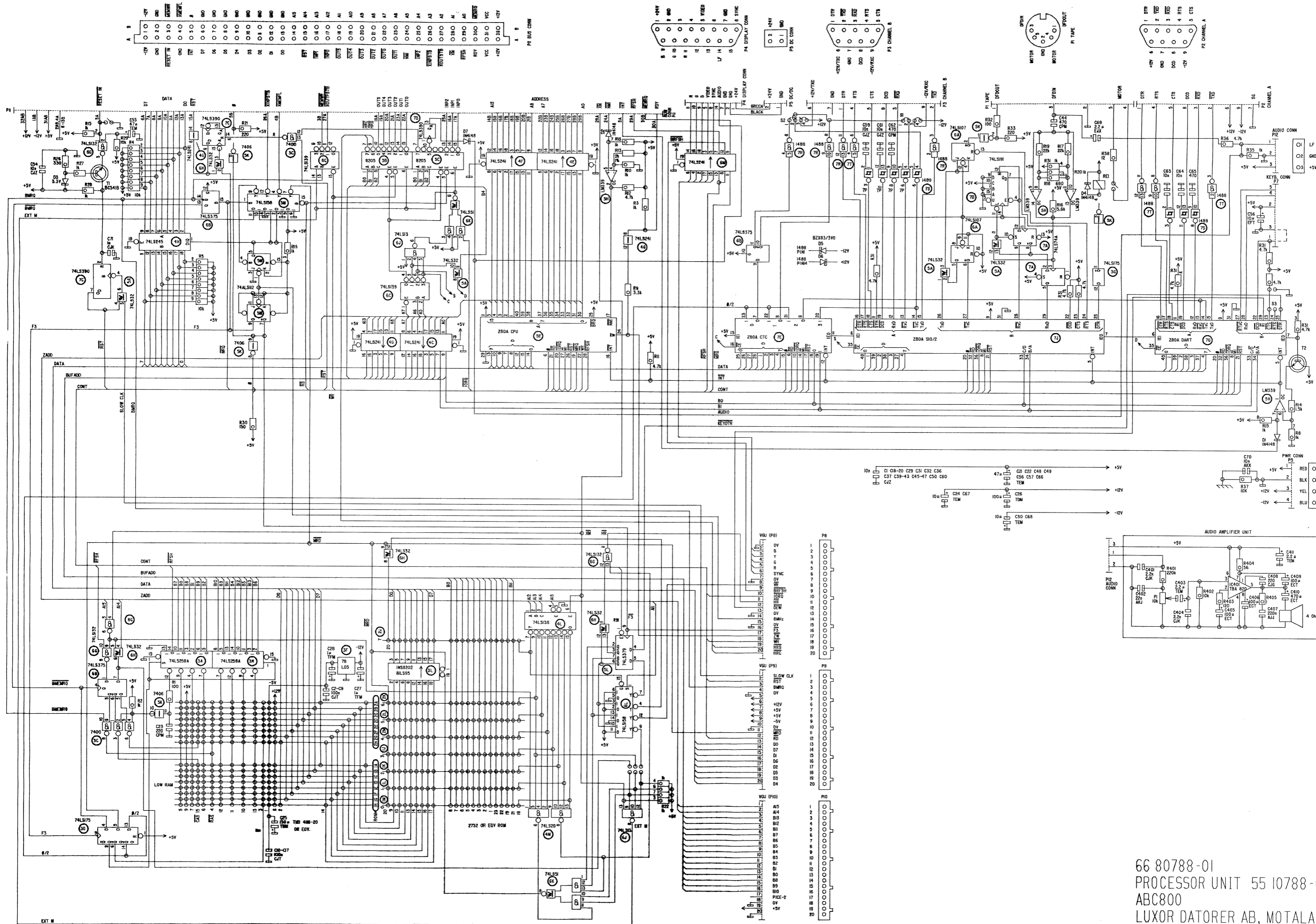
66 80789-01
 VGU 40 CHR 55 10789-01
 ABC800
 LUXOR DATORER AB, MOTALA



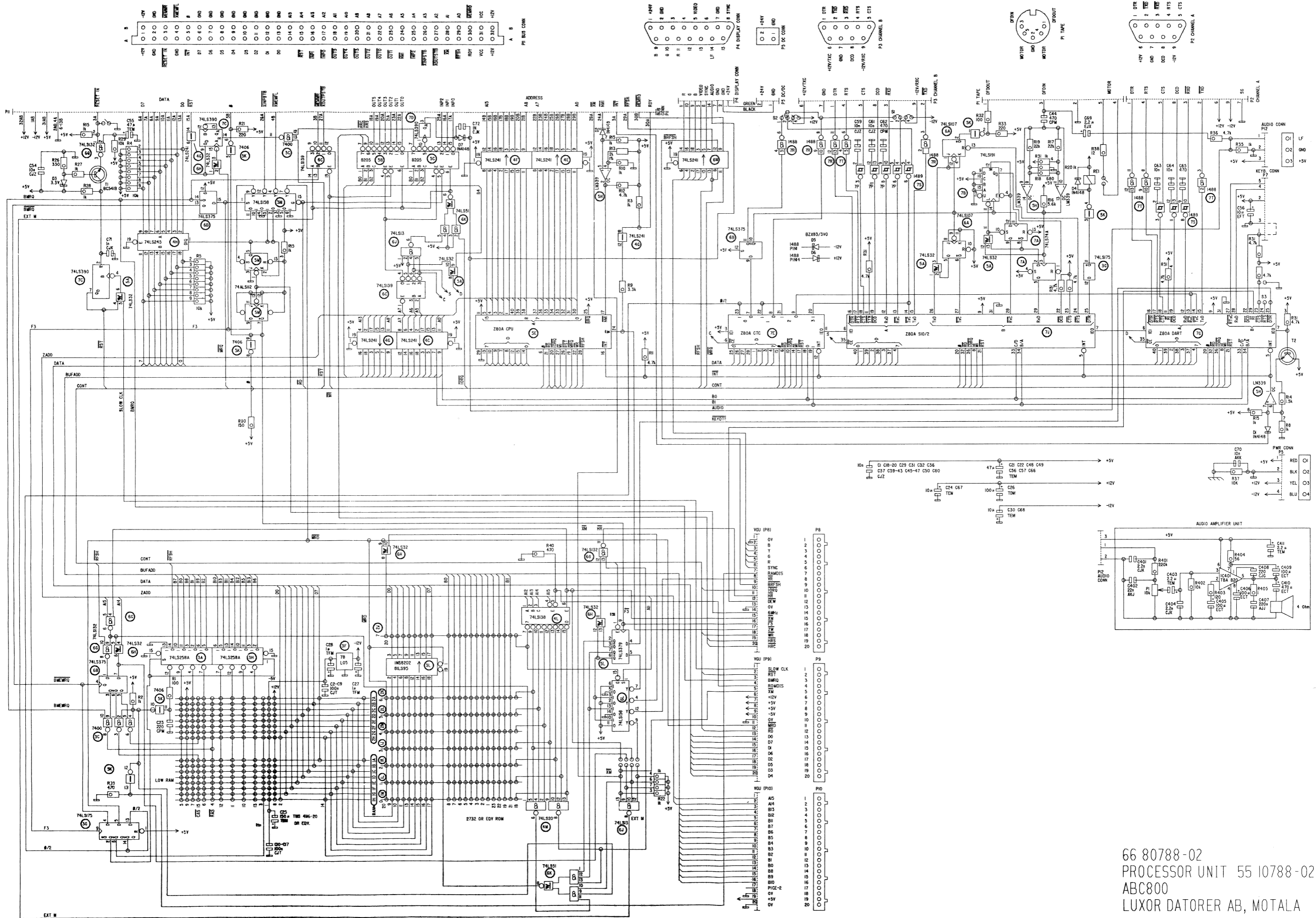
66 80789-02
 VGU 40 CHR 55 10789-02
 ABC800
 LUXOR DATORER AB, MOTALA



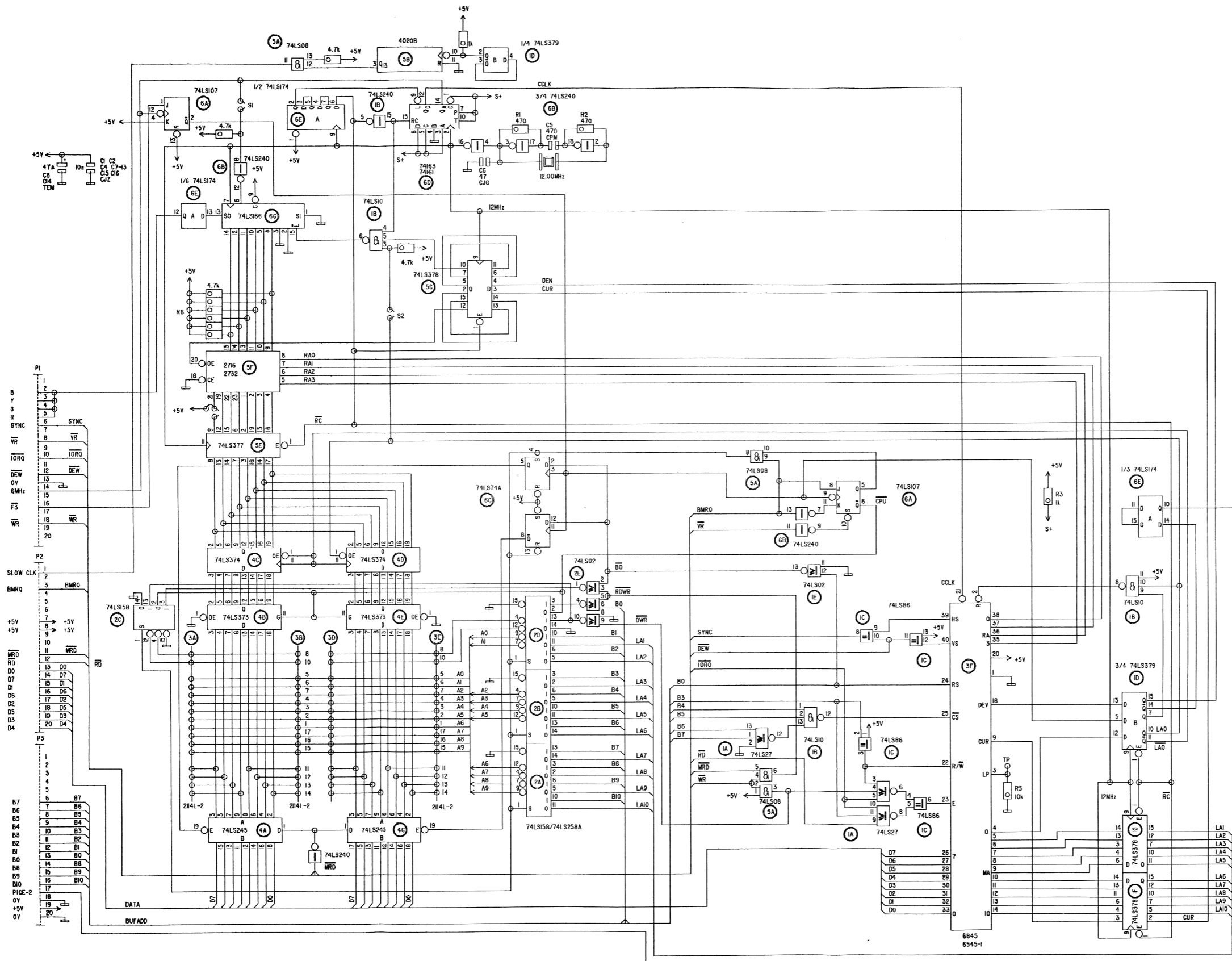
66 80790-01
 VGU 80 CHR 55 10790-01
 ABC800
 LUXOR DATORER AB, MOTALA



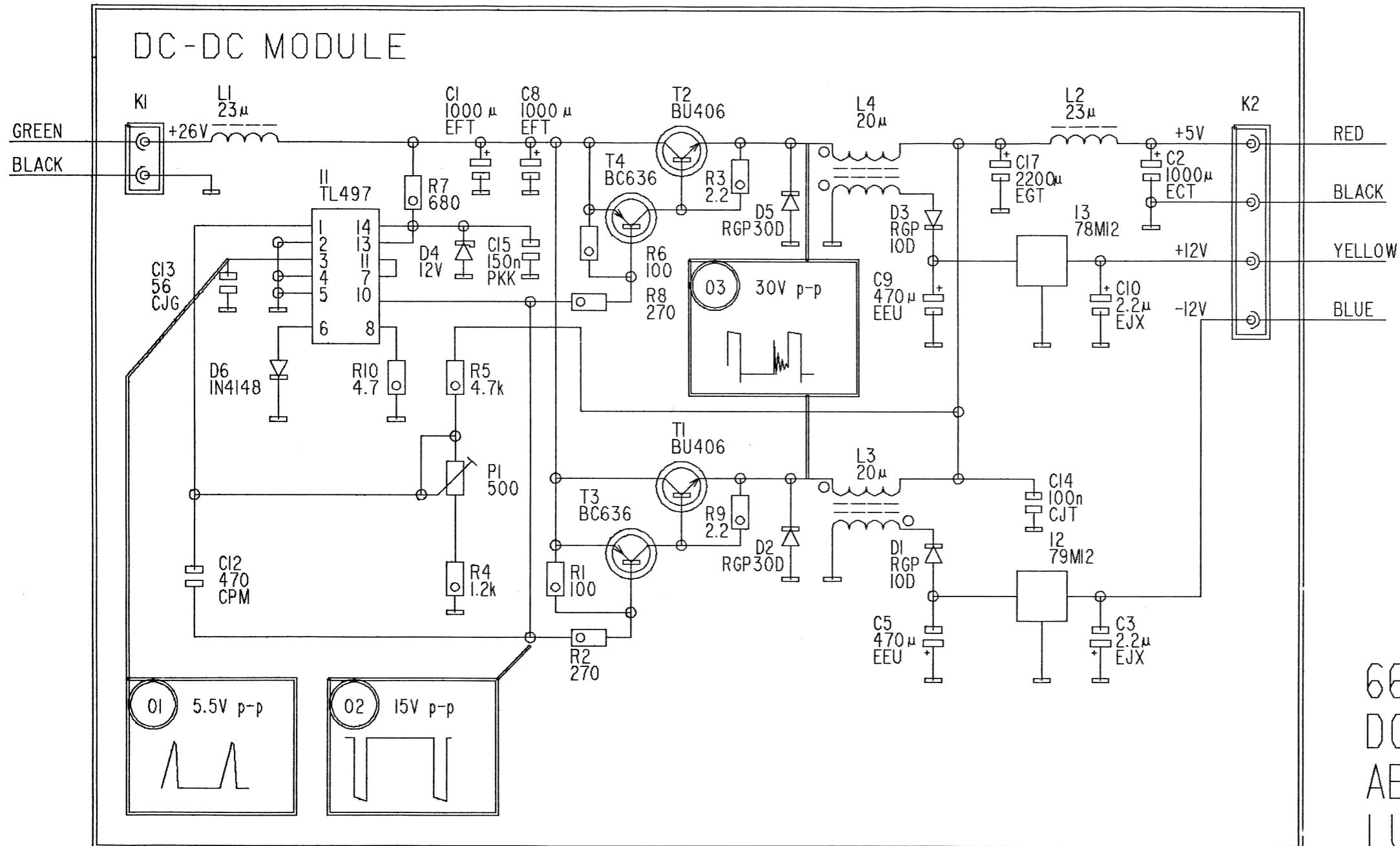
66 80788-01
 PROCESSOR UNIT 55 10788-01
 ABC800
 LUXOR DATORER AB, MOTALA



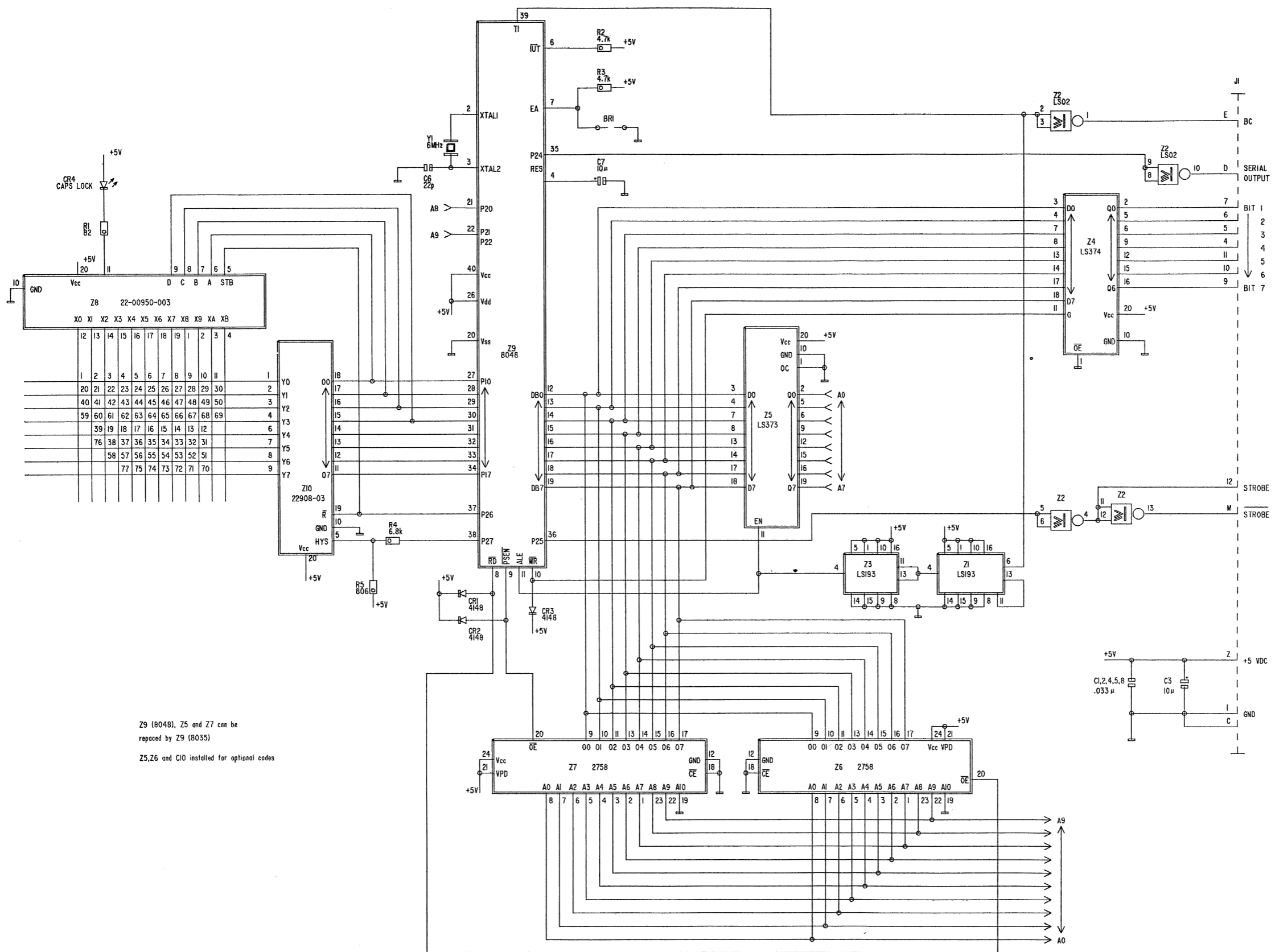
66 80788-02
 PROCESSOR UNIT 55 10788-02
 ABC800
 LUXOR DATORER AB, MOTALA



66 80790-02
 VGU 80 CHR 55 10790-02
 ABC800
 LUXOR DATORER AB, MOTALA



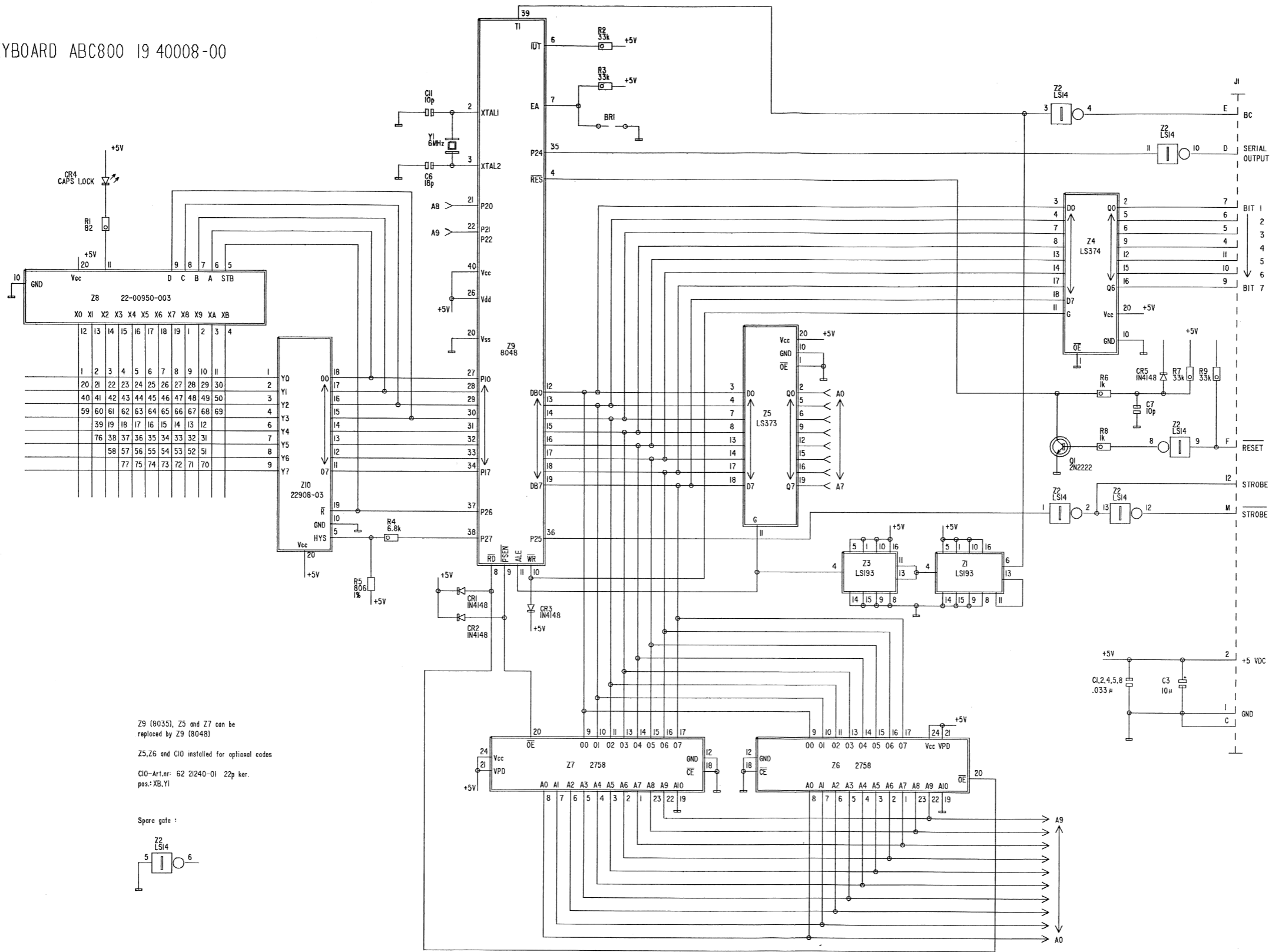
66 80807-02
 DC/DC MODULE 55 10807-02
 ABC800
 LUXOR DATORER AB, MOTALA



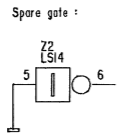
Z9 (8048), Z5 and Z7 can be replaced by Z9 (8035)
 Z5, Z6 and C10 installed for optional codes

66 80800-01
 KEYBOARD 65-02201-001
 ABC800
 LUXOR DATORER AB, MOTALA

KEYBOARD ABC800 19 40008-00



Z9 (8035), Z5 and Z7 can be replaced by Z9 (8048)
 Z5, Z6 and C10 installed for optional codes
 C10-Ar1.n: 62 21240-01 22p ker.
 pes: XB, Y1



66 80800-02
 KEYBOARD 65-02201-002
 ABC800
 LUXOR DATORER AB, MOTALA