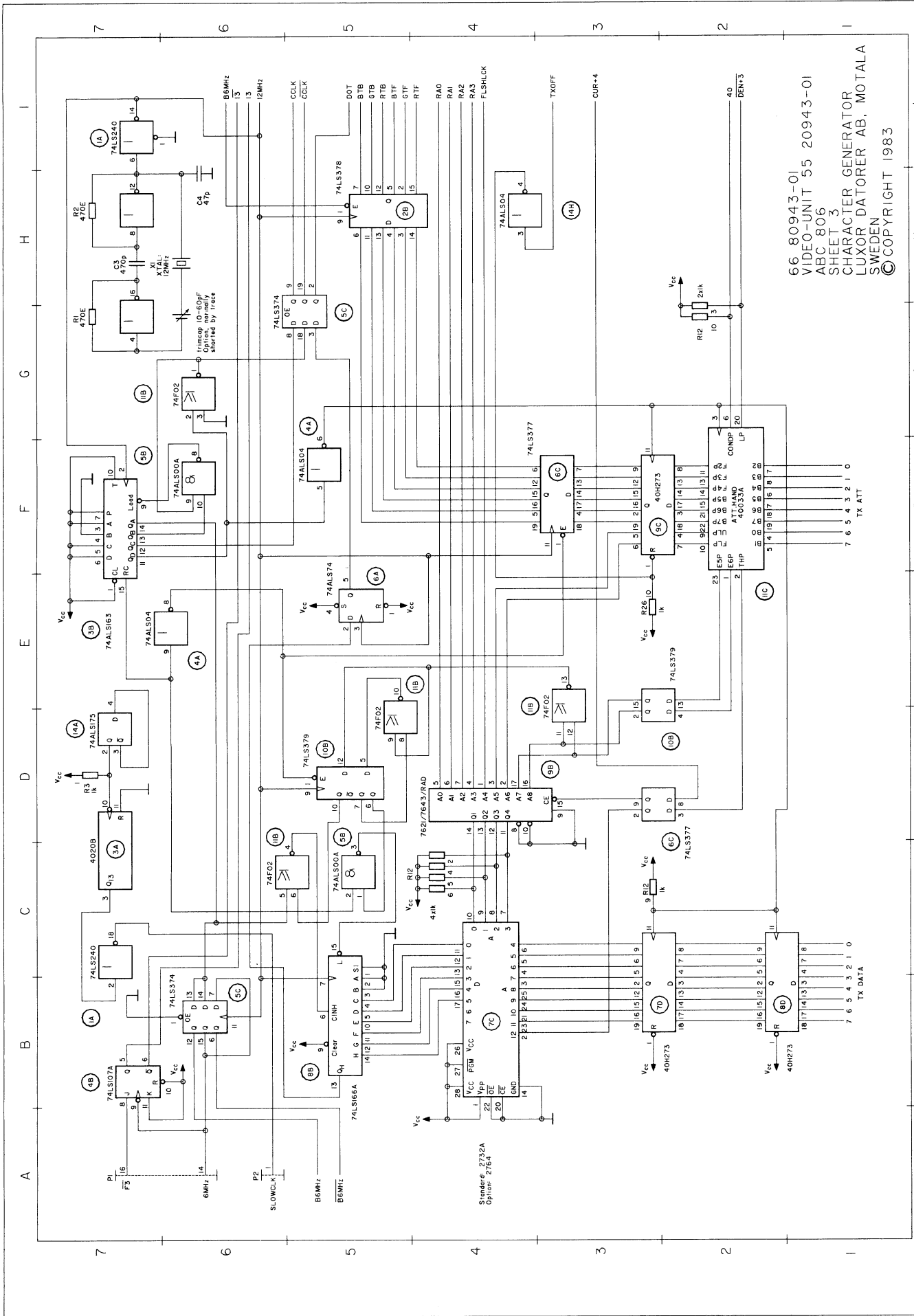


66 80943-01
 VIDEO-UNIT 55 20943-01
 ABC 806
 SHEET
 BUS ISOLATION
 LUXOR DATORER AB, MOTALA
 SWEDEN
 © COPYRIGHT 1983

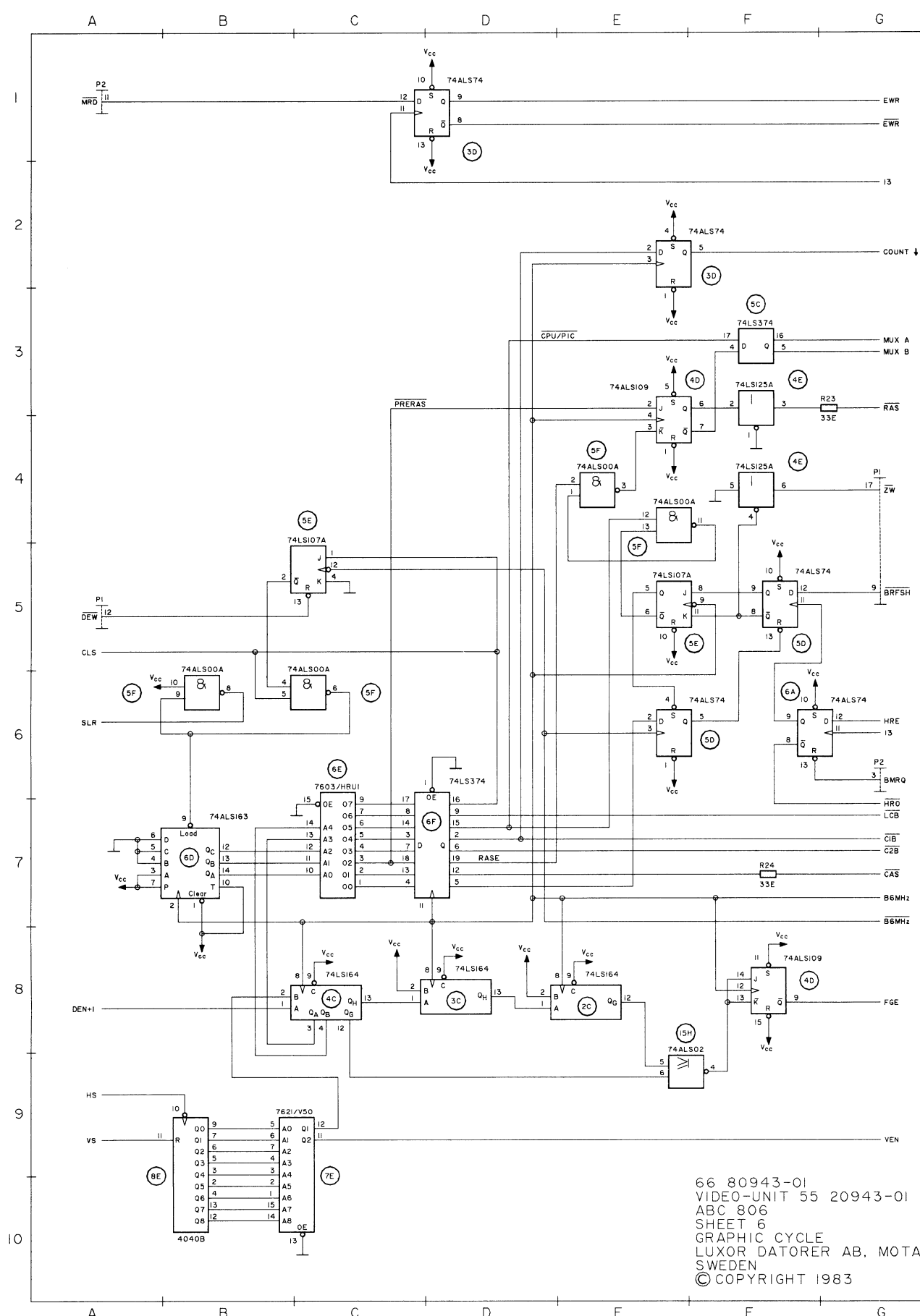


66.80943-01
 VIDEO-UNIT 55 20943-01
 SHEET 3
 CHARACTER GENERATOR
 LUXOR DATORE AB, MOTALA
 SWEDEN
 © COPYRIGHT 1983

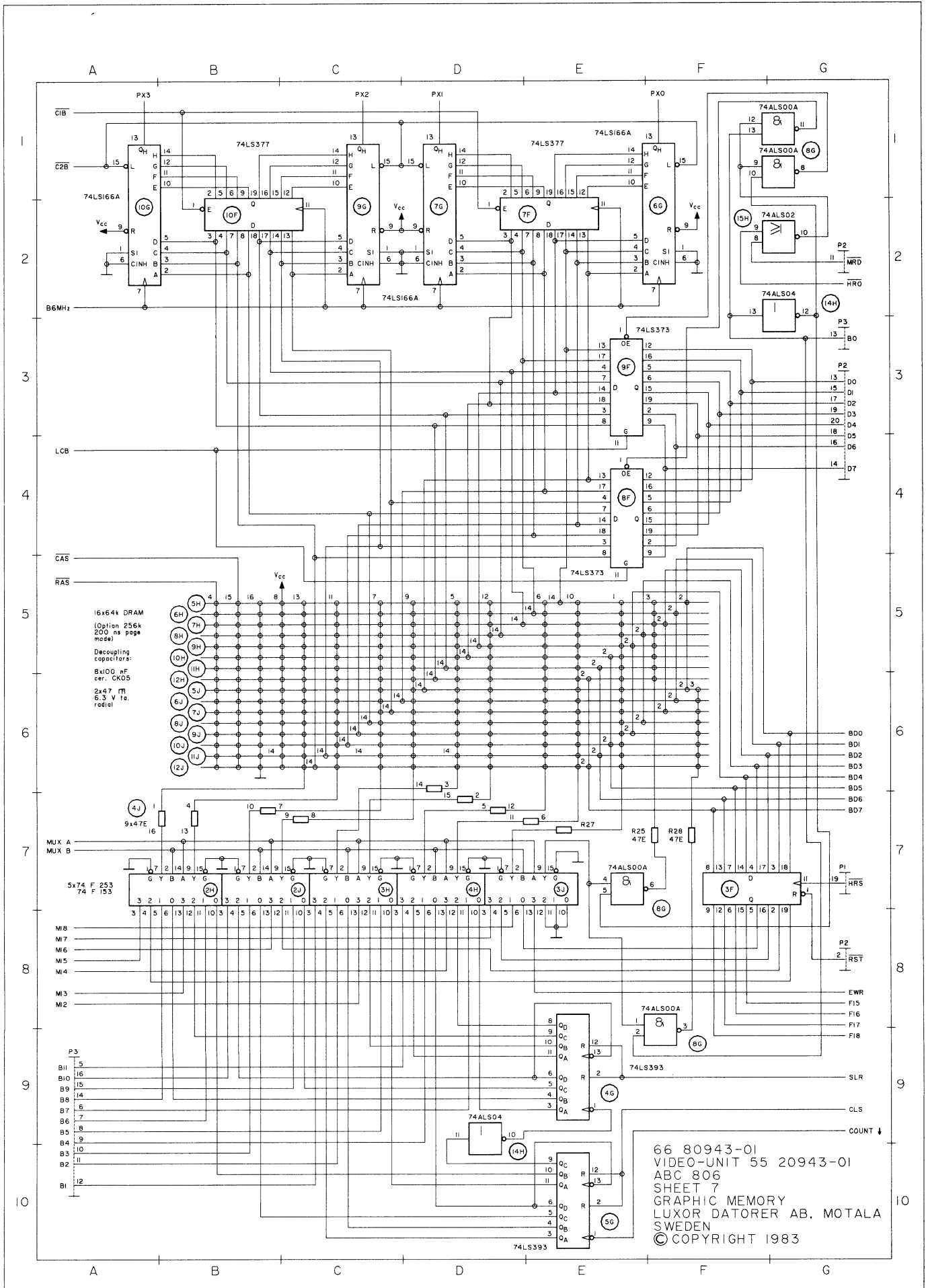
Standard: 2732A
 Option: 2764

TX ATT

TX DATA



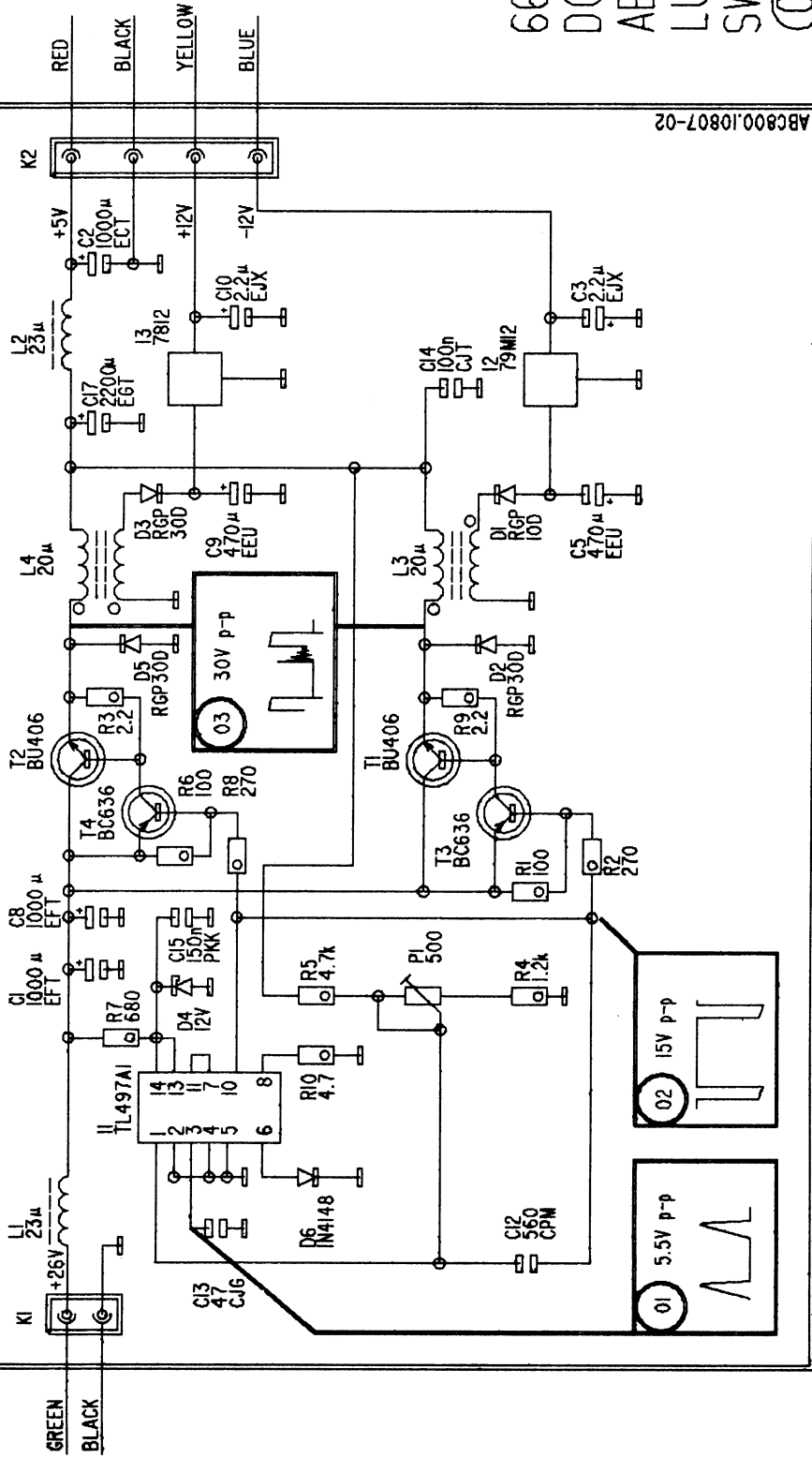
66 80943-01
 VIDEO-UNIT 55 20943-01
 ABC 806
 SHEET 6
 GRAPHIC CYCLE
 LUXOR DATORER AB, MOTALA
 SWEDEN
 © COPYRIGHT 1983



16x64k DRAM
 (Option 256k
 200 ns page
 mode)
 Decoupling capacitors:
 8x100 nF
 cer. CKD5
 2x47 uF
 6.3 V radial

66 80943-01
 VIDEO-UNIT 55 20943-01
 ABC 806
 SHEET 7
 GRAPHIC MEMORY
 LUXOR DATORE AB, MOTALA
 SWEDEN
 © COPYRIGHT 1983

DC-DC MODULE



ABC800.10807-02

66 80807-02
 DC/DC MODULE 55 20807-02
 ABC806
 LUXOR DATORER AB, MOTALA
 SWEDEN
 © COPYRIGHT 1983

