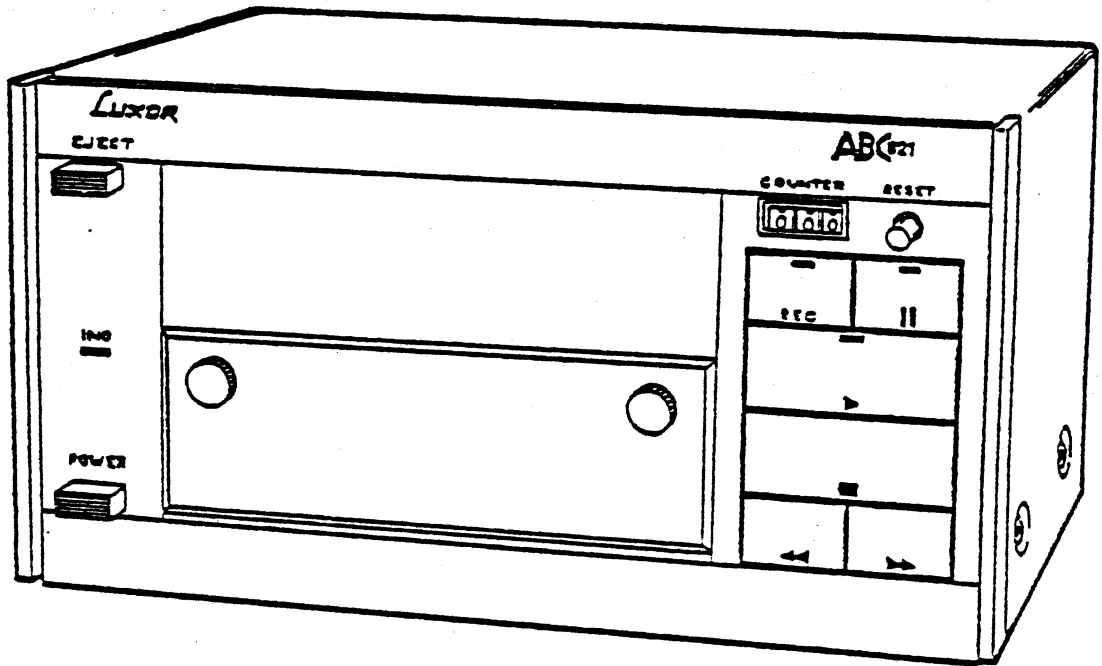


LUXOR

8. kvist

Kassettminne ABC821

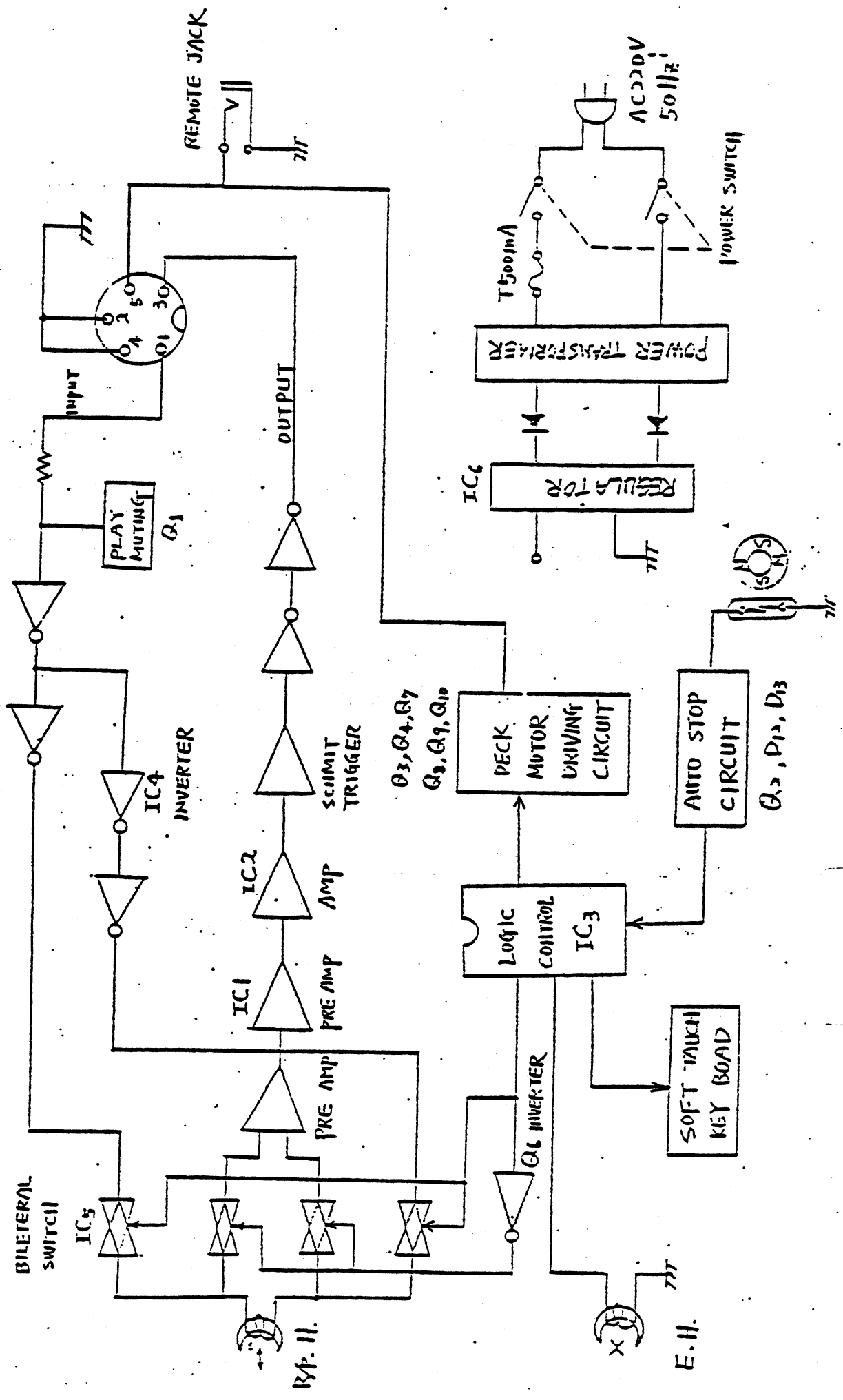


ABC80 / ABC800[®]

LUXOR
Datorer

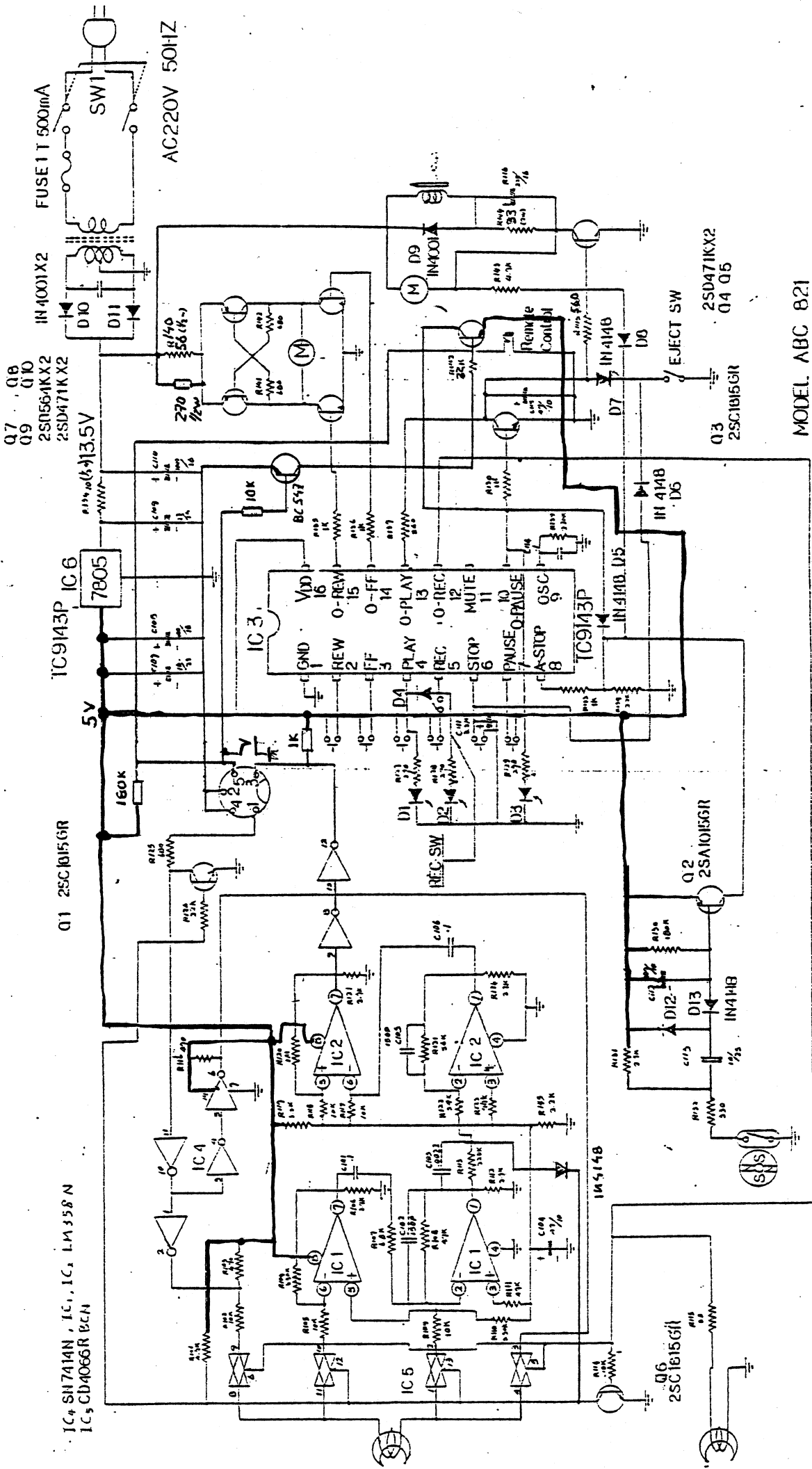
Block Diagram

KASSETMINNE 230 7821-11



AMC

CIRCUIT DIAGRAM

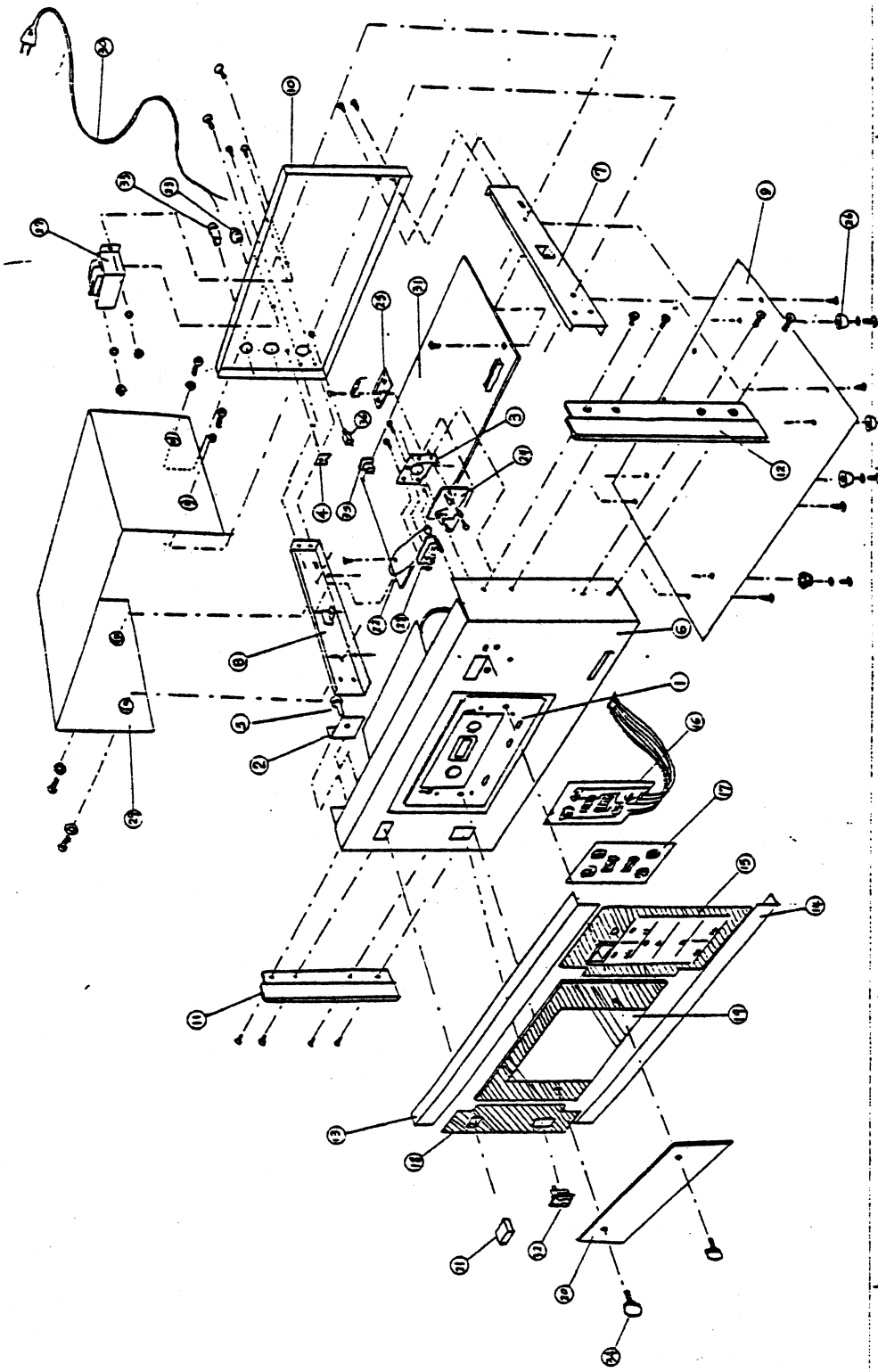


MODEL ABC 821

DATE: 4-2-83
 REF.: CD-CM02B
 REV.: A
 PAGE: 1 of 1



ITEM	PNMIS NO.	DESCRIPTION	QTY
1.	DE-202	DECK ARCH	1
2.	11-2306	BRACKET, EJECT LEVER	1
3.	11-2307	BRACKET, COUNTER	1
4.	11-2308	BRACKET, DN JACK	1
5.	11-2310	PUSH LEVER, EJECT	1
6.	11-6092	CHASSIS, FRONT	1
7.	11-6093	CHASSIS, RIGHT	1
8.	11-6094	CHASSIS, LEFT	1
9.	11-6095	CHASSIS, BOTTOM	1
10.	11-8206	PANEL, BACK	1
11.	11-8207	PANEL, AUX, LEFT	1
12.	11-8208	PANEL, AUX, RIGHT	1
13.	11-8210	AL TRIM, UPPER	1
14.	11-8211	AL TRIM, LOWER	1
15.	11-8212	PLATE, PVC, KEYBOARD	1
16.	11-8212A	PRINT CIRCUIT, FLEXIBLE	1
17.	11-8212B	PRINT CIRCUIT, FLEXIBLE	1
18.	11-8214	PLATE, PVC, LEFT	1
19.	11-8216	DOOR, DECK, BLK	1
20.	11-8218	DOOR, DECK, SILVER	1
21.	12-3100	KNOB, EJECT	1
22.	13-7104	COUNTER BELT	1
23.	14-5003	CORD BUSH, 4W-4	1
24.	19-1138	PCB, LED	1
25.	19-1140	PCB, REEP	1
26.	28-1042	RUBBER FOOT	4
27.	29-1224A	XMR, EI-41, 220V, SEMKO	1
28.	35-5062	COUNTER, DECK	1
29.	50-1032	CABINET	1
30.	14-5026	POWER CORD, CEE-2	1
31.	19-1136	PCB, MAIN	1
32.	31-1180	SW, 5W, ROCKER, SEMKO	1
33.	17-2012	FUSE HOLDER, 20MM SEMKO	1
34.	55-2322	SCREW, DECK DOOR	2
35.	12-1102	SOCKET, DIN	1
36.	12-2104	JACK, 2.5MM	1



AMC	AMC	AMC	AMC
REVISIONS	REVISIONS	REVISIONS	REVISIONS
雙更記錄	雙更記錄	雙更記錄	雙更記錄
EXPLODED DIAGRAM	EXPLODED DIAGRAM	EXPLODED DIAGRAM	EXPLODED DIAGRAM
D3-EV-CM02B	D3-EV-CM02B	D3-EV-CM02B	D3-EV-CM02B
CM02B	CM02B	CM02B	CM02B
UNIT	UNIT	UNIT	UNIT
SCALE	SCALE	SCALE	SCALE
REMARKS	REMARKS	REMARKS	REMARKS
NAME	NAME	NAME	NAME
DRAWING NO.	DRAWING NO.	DRAWING NO.	DRAWING NO.
PART NO.	PART NO.	PART NO.	PART NO.
DIV (DEPT)	DIV (DEPT)	DIV (DEPT)	DIV (DEPT)
CHKD	CHKD	CHKD	CHKD
APP'D	APP'D	APP'D	APP'D
QTY	QTY	QTY	QTY
MATERIAL	MATERIAL	MATERIAL	MATERIAL
TREATMENT	TREATMENT	TREATMENT	TREATMENT

PARTS LIST

DATE: 4-5-83
REF.: AFLCMO2B
REV.: A

PARTS NO.	DESCRIPTION	SYMBOL NO.	REF.
11-2306	BRACKET, EJECT LEVER	-	
11-2307	BRACKET, COUNTER	-	
11-2308	BRACKET, DIN JACK	-	
11-2310	PUSH LEVER, EJECT	-	
11-6092	CHASSIS, FRONT	-	
11-6093	CHASSIS, RIGHT	-	
11-6094	CHASSIS, LEFT	-	
11-6095	CHASSIS, BOTTOM	-	
11-8206	PANEL, BACK	-	
11-8207	PANEL, AUX, LEFT	-	
11-8208	PANEL, AUX, RIGHT	-	
11-8210	AL TRIM, UPPER	-	
11-8211	AL TRIM, LOWER	-	
11-8212	PLATE, PVC, KEYBOARD	-	
11-8212A	PRINT CKT, FLXIBLE	-	
11-8212B	PRINT CKT, FLXIBLE	-	
11-8214	PLATE, PVC, LEFT	-	
11-8216	DOOR, DECK, BLK	-	
11-8218	DOOR, DECK, SILVER	-	
12-2102	SOCKET, DIN	-	
12-2104	JACK, 2.5mm	-	
12-3100	KNOB, EJECT	-	
13-7104	COUNTER BELT	-	
14-5003	CORD BUSH, 4N-4	-	
14-5026	POWER CORD, CEE-2	-	
16-1/2C330J	RES,C, 2W 33 ohm	R144	
16-1/4C330J	RES,C,1/4W 33 ohm +-5%	R115	
16-1/4C271J	RES,C,1/4W 270 ohm +-5%	R127,128,129	
16-1/4C331J	RES,C,1/4W 330 ohm +-5%	R132	
16-1/4C471J	RES,C,1/4W 470 ohm +-5%	R103,116	
16-1/4C561J	RES,C,1/4W 560 ohm +-5%	R137,145	
16-1/4C681J	RES,C,1/4W 680 ohm +-5%	R125,141,146	
16-1/4C102J	RES,C,1/4W 1K ohm +-5%	R133,135,136	
		R138,	

PARTS LIST

DATE: 4-5-83
REF.: AFLCMO2B
REV.: A

PARTS NO.	DESCRIPTION	SYMBOL NO.	REF.
16-1/4C222J	RES, C, 1/4W 2.2K ohm +-5%	R134, 147	
16-1/4C272J	RES, C, 1/4W 2.7K ohm +-5%	R106, 112, 124	
16-1/4C332J	RES, C, 1/4W 3.3K ohm +-5%	R117	
16-1/4C392J	RES, C, 1/4W 3.9K ohm +-5%	R122	
16-1/4C472J	RES, C, 1/4W 4.7K ohm +-5%	R101, 143	
16-1/4C682J	RES, C, 1/4W 6.8K ohm +-5%	R107	
16-1/4C103J	RES, C, 1/4W 10K ohm +-5%	R102, 105, 109	
		R114, 118, 119	
16-1/4C223J	RES, C, 1/4W 22K ohm +-5%	R126, R142	
16-1/4C473J	RES, C, 1/4W 47K ohm +-5%	R108, 111	
16-1/4C563J	RES, C, 1/4W 56K ohm +-5%	R121	
16-1/4C743J	RES, C, 1/4W 74K ohm +-5%	R123	
16-1/4C184J	RES, C, 1/4W 180K ohm +-5%	R130	
16-1/4C224J	RES, C, 1/4W 220K ohm +-5%	R113, 139	
16-1/4C334J	RES, C, 1/4W 330K ohm +-5%	R104, 110	
16-1/4C105J	RES, C, 1/4W 1M ohm +-5%	R120	
16-2A560K	RES, MO, 2W 56 ohm +-5%	R140 → 56Ω//270Ω 1/2W	
17-5.0E335Y	CAPA EL, 3.3UF 50V +50 -10%	C111	
17-2.5E106Y	CAPA EL, 10UF 25V +50 -10%	C113	
17-1.6E226Y	CAPA EL, 22UF 16V +50 -10%	C109	
17-1.0E107Y	CAPA EL, 100UF 10V +50 -10%	C108, 112	
17-1.0E476Y	CAPA EL, 47UF 10V +50 -10%	C104, 115	
17-1.6E227Y	CAPA EL, 220UF 16V +50 -10%	C116	
17-1.6E108Y	CAPA EL, 1000UF 16V+50 -10%	C110	
17-5.0F104K	CAPA MY, 0.1UF 50V +-10%	C101, 106, 114	
17-5.0F222K	CAPA MY, 2.2nF 50V +-10%	C103	
17-5.0D151K	CAPA CER, 150pF 50V +-10%	C102, 105	
17-5.0D103K	CAPA CER, .01UF 50V +-10%	C107, 117	
19-1136	PCB, MAIN	-	
19-1138	PCB, LED	-	
19-1140	PCB, REED	-	
26-3556	POLY PAPER	-	
29-2122*A	XMER, EI-41, 220V, SEMKO	-	
30-1075	LED, RED 5mm	D1, 2, 3	
30-1N4148	DIODE, 1N4148	D4, 5, 6, 7, 8	
		D12, 13	
30-1N4001	DIODE, 1N4001	D9, 10, 11	

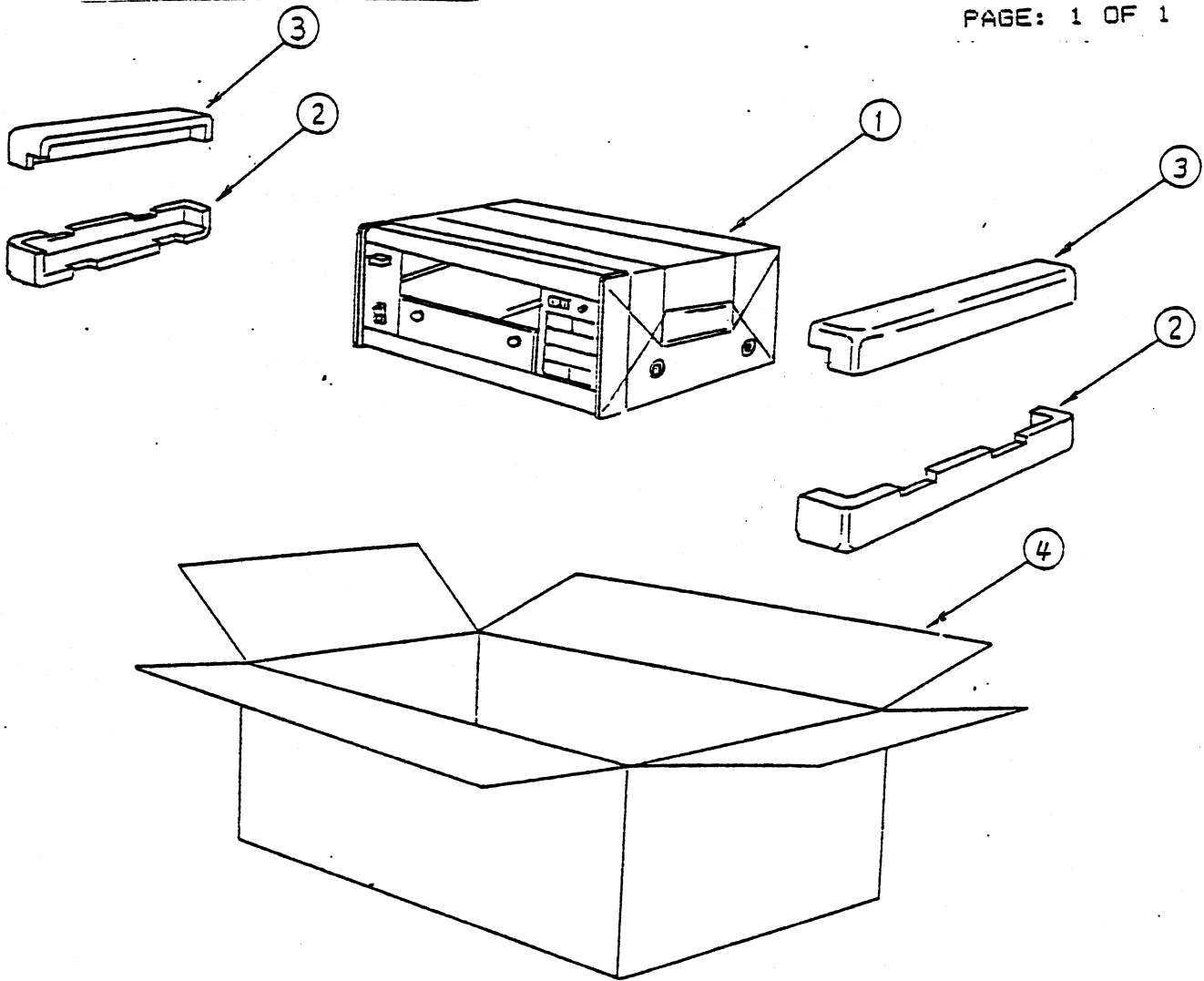
PARTS LIST

DATE: 4-5-83
REF.: APLCM02B
REV.: A

PARTS NO.	DESCRIPTION	SYMBOL NO.	REF.
30-2SA1015GR	TR, 2SA1015GR	Q2, Q4	
30-2SB564K	TR, 2SB564K	Q7, 8	
30-2SC1815GR	TR, 2SC1815GR	Q1, 3, 6	
30-2SD471K	TR, 2SD471K	Q X , 5, 9, 10	
30-3CD4066BCN	IC, CD4066BCN	IC5	
30-3LM358N	IC, LM358N	IC1, 2	
30-3LM7805CT	IC, LM7805CT	IC6	
30-3TC9143P	IC, TC9143P	IC3	
31-1180	SW, Power, Rocker, SEMKO	-	
31-1182	SW, REED	-	
32-15000S	FUSE, 5X20mm, SEMKO, T500mA	-	
32-2012	FUSE HOLDER, 20mm, SEMKO	-	
34-1034	POLYLON A	-	
34-1036	POLYLON B	-	
35-5062	COUNTER, DECK, T3B	-	
36-1060	R/P HEAD	-	
36-1062	ERASE HEAD	-	
50-1032	CABINET	-	
CT5160	CARTON, INNER, CM02B	-	
CT5162	CARTON, OUTER, CM02B	-	
DK202	DECK MECH.	-	



DATE: 4-1-83
REF.: PD-CM02B
REV.: A
PAGE: 1 OF 1



PACKING DIAGRAM

Item	Part No.	Descriptions	Q'ty
1.	26-3556	Poly Paper	1
2.	34-1034	Polylon A	2
3.	34-1036	Polylon B	2
4.	CT-5160	Carton, Inner	1